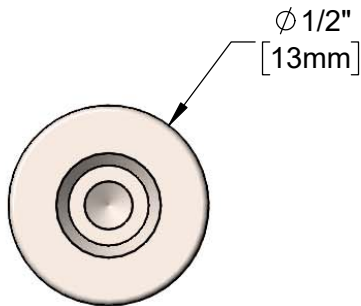
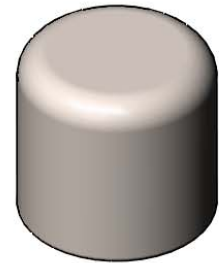




Architect/Engineering Specifications:

Stainless steel squeeze valve push button with 1/4-24 female thread.

Job Name _____
 Model Specified _____ Quantity _____
 Variations Specified _____
 Date _____



Features & Benefits:

- Squeeze valve push button
- 1/4-24 female thread
- Material: Stainless Steel

Product Compliance:

- N/A

Warranty: One Year (Limited)

Performance Data:

- N/A

