

**ADA Compliant**

*This Space for Architect/Engineer Approval*

Job Name \_\_\_\_\_ Date \_\_\_\_\_

Model Specified \_\_\_\_\_ Quantity \_\_\_\_\_

Customer/Wholesaler \_\_\_\_\_

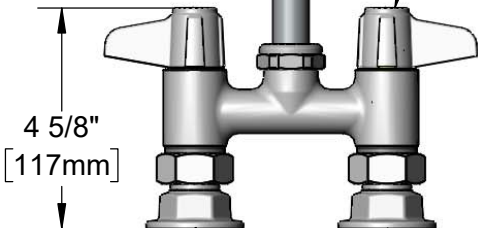
Contractor \_\_\_\_\_

Architect/Engineer \_\_\_\_\_



5SP-05C-F15  
5 7/8" equip Swivel  
Gooseneck  
w/ 1.5 GPM Aerator.  
Rigid Conversion Requires  
014200-45 Lock Washer  
(Sold Separately)

equip quarter-Turn Ceramic  
Cartridges & equip Lever  
Handles w/ Color Coded  
Screws

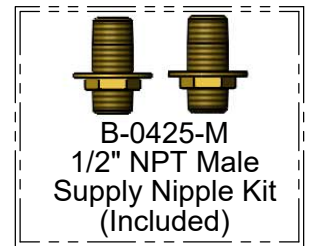


Mounting Surface

4"  
[102mm]

Ø 2" [51mm]  
Flanges w/  
1/2" NPT  
Female Inlets

Adjustable from  
3 3/4" to 4 1/4"  
[95mm to 108mm]



Rough-In Requirement:  
(2) Ø 1" [25mm] Mounting Holes

Model Number

**5F-4DLS05C-F15**

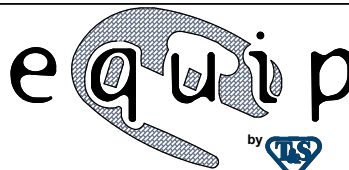
Product Specifications:

4" Deck Mount Mixing Faucet, equip Quarter-Turn Ceramic Cartridges, equip Lever Handles, 5 7/8" equip Swivel Gooseneck, 1.5 GPM Aerator & 1/2" NPT Supply Nipple Kit

Product Compliance:

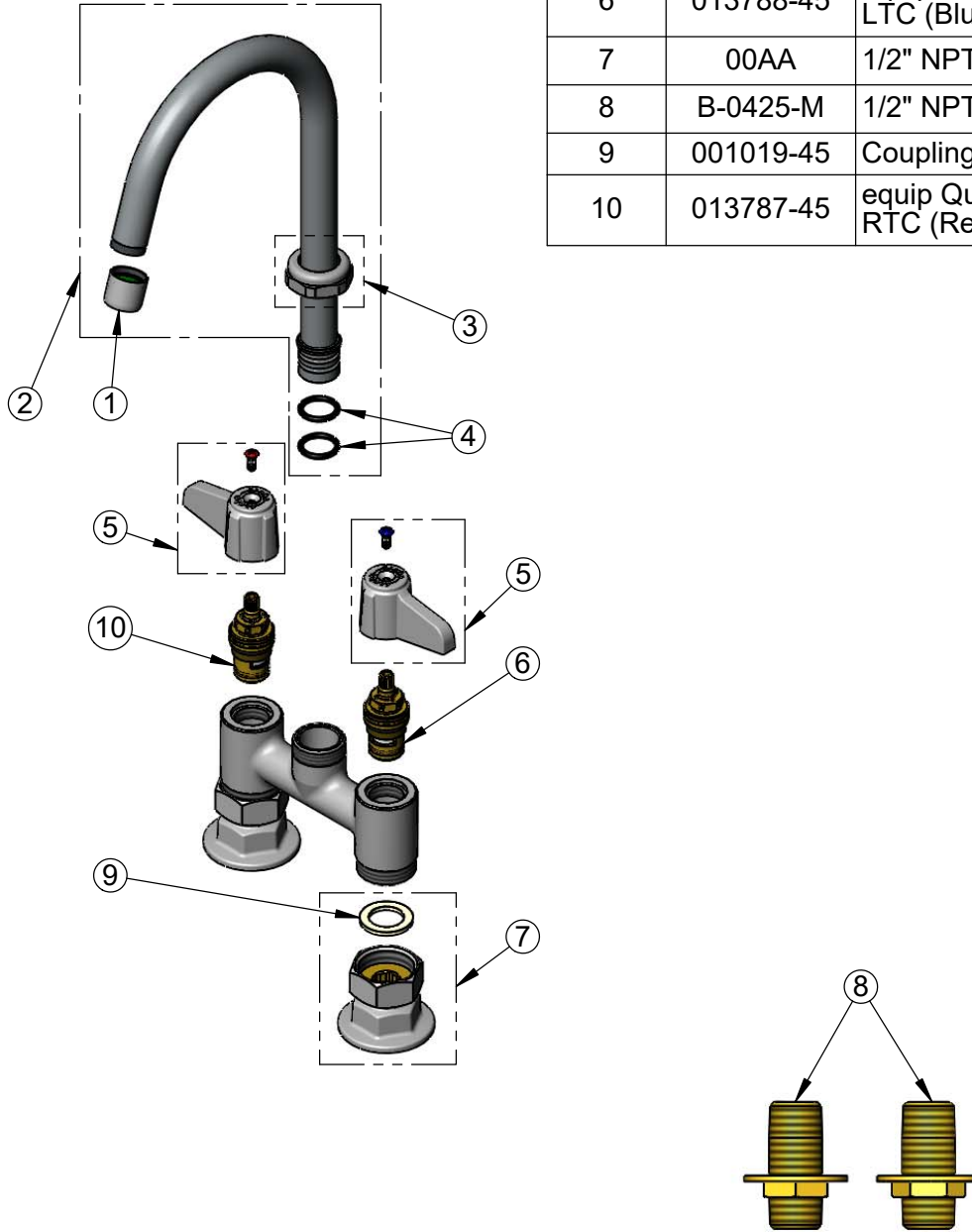
ASME A112.18.1 / CSA B125.1  
NSF 61 - Section 9  
NSF 372 (Low Lead Content)  
ANSI A117.1 (ADA)

equip  
Foodservice  
Accessories



2 Saddleback Cove, P.O. Box 1088  
Travelers Rest, South Carolina 29690  
Phone: 800.891.4808 Fax: 800.868.0084  
equip.tsbrass.com

ITEM NO.	SALES NO.	DESCRIPTION
1	SP-F15	1.5 GPM Aerator, 3/4-27 UN Female
2	5SP-05C-F15	5 7/8" Swivel Gooseneck
3	013839-25	equip Swivel Nut
4	013848-45	O-Ring
5	5-HDL-L	equip Lever Handle w/ Color Coded Screws
6	013788-45	equip Quarter-Turn Ceramic Cartridge, LTC (Blue)
7	00AA	1/2" NPT Female Eccentric Flange
8	B-0425-M	1/2" NPT Male Supply Nipple Kit (2)
9	001019-45	Coupling Nut Washer
10	013787-45	equip Quarter-Turn Ceramic Cartridge, RTC (Red)



Model Number

**5F-4DLS05C-F15**

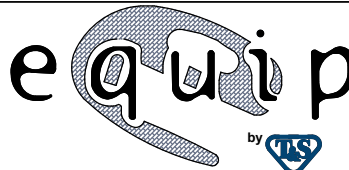
Product Specifications:

**4" Deck Mount Mixing Faucet, equip Quarter-Turn Ceramic Cartridges, equip Lever Handles, 5 7/8" equip Swivel Gooseneck, 1.5 GPM Aerator & 1/2" NPT Supply Nipple Kit**

Product Compliance:

ASME A112.18.1 / CSA B125.1  
NSF 61 - Section 9  
NSF 372 (Low Lead Content)  
ANSI A117.1 (ADA)

equip  
Foodservice  
Accessories



2 Saddleback Cove, P.O. Box 1088  
Travelers Rest, South Carolina 29690  
Phone: 800.891.4808 Fax: 800.868.0084  
equip.tsbrass.com