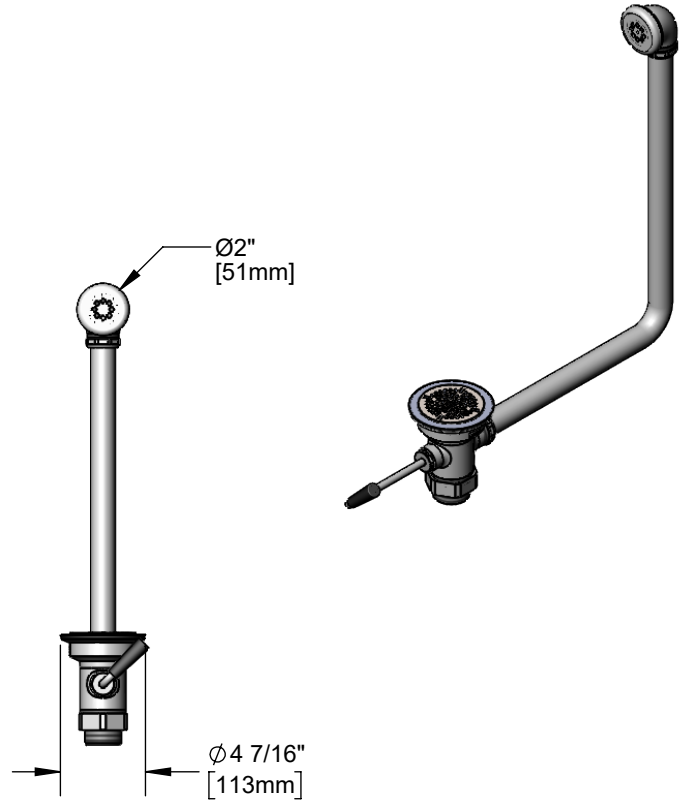
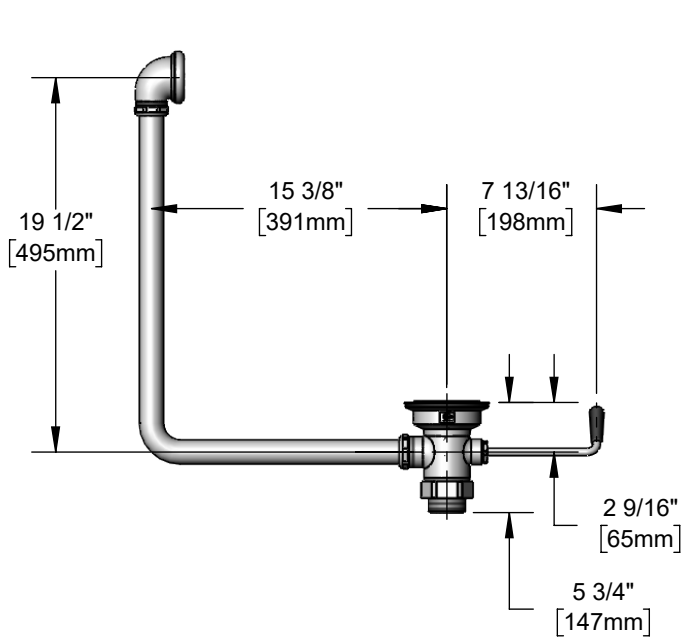




**Architect/Engineering Specifications:**

Rotary waste valve for 3 1/2" sink opening with rough chrome plated body, 2" NPT male / 1 1/2" NPT female outlet, short twist handle with heat resistant plastic grip, 2" NPT female x 1 1/2" NPT male adapter, snap-in removable strainer and overflow outlet with cap. Certified to ASME A112.18.2/CSA B125.2

Job Name _____
Model Specified _____ Quantity _____
Variations Specified _____
Date _____



**Features & Benefits:**

- Rotary waste valve for 3 1/2" sink opening w/ rough chrome plated body
- 2" NPT male / 1 1/2" NPT female outlet
- Short twist handle w/ heat resistant plastic grip
- 2" NPT female x 1 1/2" NPT male adapter
- Snap-in removable strainer
- Overflow outlet w/ cap & sealing washer
- Material: Rough chrome plated brass body & adapter and stainless steel handle & flat strainer

**Product Compliance:**

- ASME A112.18.2 / CSA B125.2



**Warranty:** One Year (Limited)

**Performance Data:**

- Discharge Rate: 17.14 GPM [64.88 L/min] max
- Temperature: 40°F -180°F [4.44°C -82.2°C]

