



Swivel Sink & Pantry Faucets

5F-1WLB00

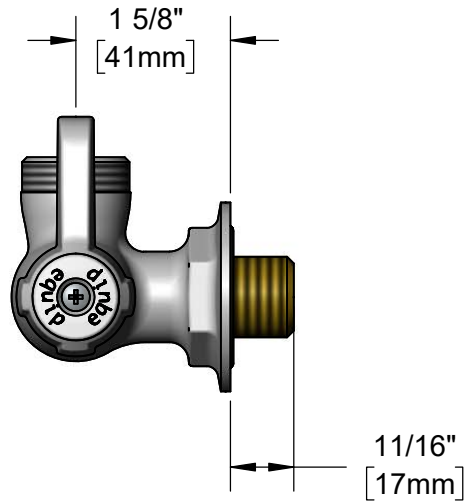
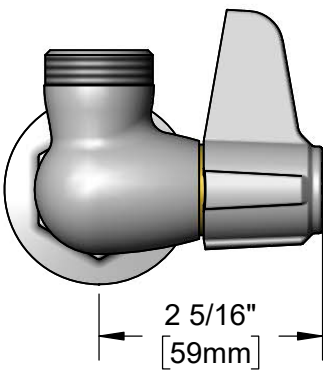
TAG:

Wall Mount Faucet

Architect/Engineering Specifications:

Single hole single temperature wall mount faucet with polished chrome plated brass body, ceramic cartridge, lever handle and 1/2" NPT female inlet with 1/2" BSPP male supply nipple. Certified to ASME A112.18.1\CSA B125.1, NSF 61-Section 9 and NSF 372. Meets ADA ANSINCC A117.1 requirements.

Job Name _____
 Model Specified _____ Quantity _____
 Variations Specified _____
 Date _____



Features & Benefits:

- Single hole single temperature wall mount faucet w/ polished chrome plated brass body
- Swivel outlet accepts equip swivel nozzles
- Quarter-turn ceramic cartridge
- equip lever handle
- 1/2" NPT female inlet
- 1/2" BSPP supply nipple
- Material: Polished chrome plated brass body and chrome plated metal handle

Product Compliance:

- ASME A112.18.1 / CSA B125.1
- NSF 61 - Section 9
- NSF 372 (Low Lead Content)
- ANSI A117.1 (ADA)



Warranty: One Year (Limited)

Performance Data:

- Pressure: 20 - 125 psi
- Temperature: 40 °F - 140 °F
- Flow Rate: 10.0 GPM @ 60 psi



ADA Compliant

(Outlet Device &/or Final Configuration May Reduce Flow Rate)

equip Swing Nozzles

- 5SP-06 6" Swing Nozzle
- 5SP-08 8" Swing Nozzle
- 5SP-10 10" Swing Nozzle
- 5SP-12 12" Swing Nozzle
- 5SP-14 14" Swing Nozzle
- 5SP-16 16" Swing Nozzle
- 5SP-18 18" Swing Nozzle

equip Swivel Goosenecks (D x K)

- 5SP-05 8 9/16" x 5 3/4" Swivel Gooseneck
- 5SP-09 9" x 7" Swivel Gooseneck



equip Foodservice Accessories



• 2 Saddleback Cove • Travelers Rest, SC 29690
 Ph 800-891-4808 • Fax 800-868-0084
 www.tsbrass.com

Date: 09/17/19