

This Space for Architect/Engineer Approval

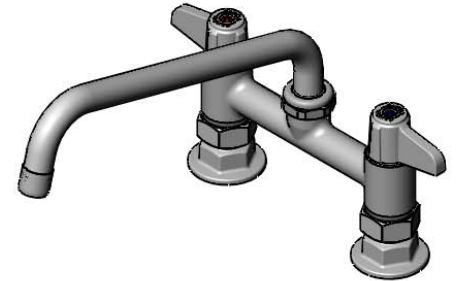
Job Name _____ Date _____

Model Specified _____ Quantity _____

Customer/Wholesaler _____

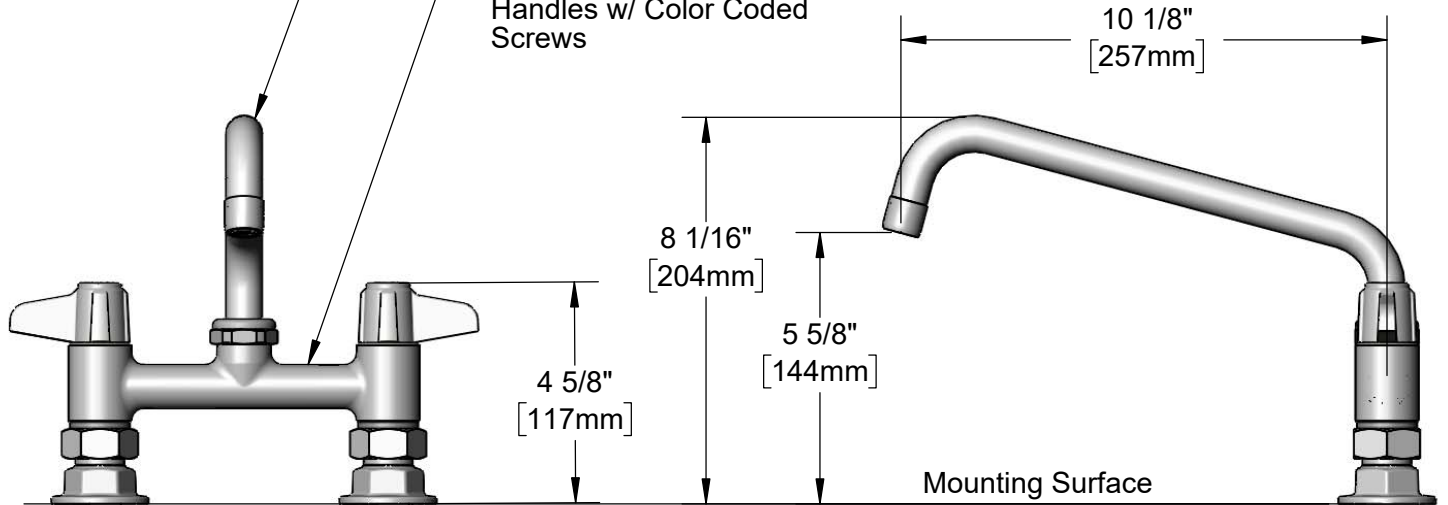
Contractor _____

Architect/Engineer _____



5SP-10-F15
 10 1/8" equip Swing Nozzle
 w/ 1.5 GPM Aerator.
 Rigid Conversion Requires
 014200-45 Lock Washer
 (Sold Separately)

equip Quarter-Turn Ceramic
 Cartridges & equip Lever
 Handles w/ Color Coded
 Screws



6" [152mm]
 Adjustable from
 5 3/4" to 6 1/4"
 [146mm to 159mm]

Ø 2" [51mm]
 Flanges w/
 1/2" NPT
 Female Inlets

Mounting Surface



Rough-In Requirement:
 (2) Ø 1" [25mm] Mounting Holes

Model Number
5F-6DLS10-F15

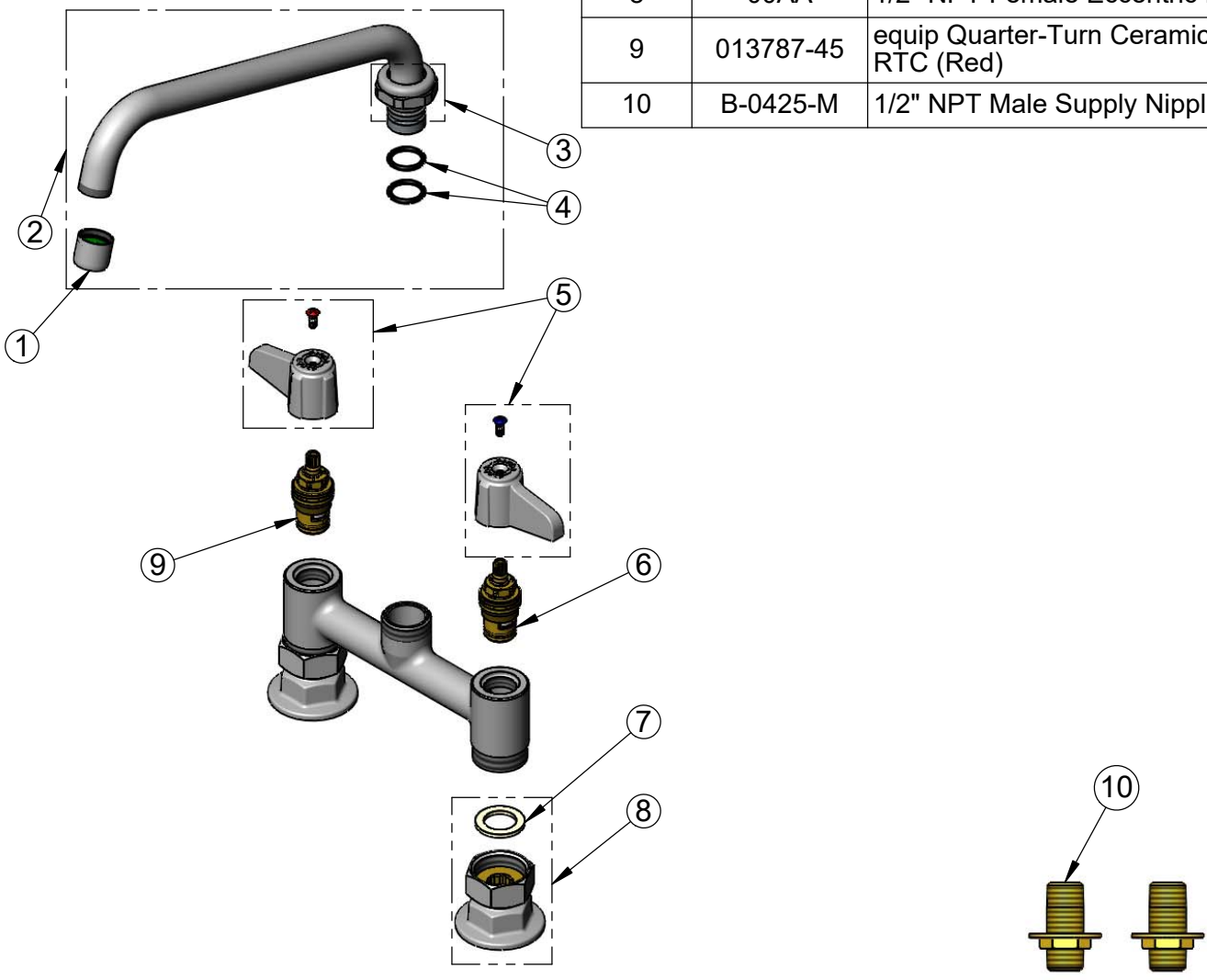
Product Specifications:
 6" Deck Mount Mixing Faucet w/ equip Quarter-Turn Ceramic Cartridges, equip Lever Handles, 10 1/8" equip Swing Nozzle with 1.5 GPM Aerator & 1/2" NPT Male Supply Nipple Kit

Product Compliance:
 ASME A112.18.1 / CSA B125.1
 NSF 61 - Section 9
 NSF 372 (Low Lead Content)
 ANSI A117.1 (ADA)

equip Foodservice Accessories

2 Saddleback Cove, P.O. Box 1088
 Travelers Rest, South Carolina 29690
 Phone: 800.891.4808 Fax: 800.868.0084
 equip.tsbrass.com

ITEM NO.	SALES NO.	DESCRIPTION
1	SP-F15	1.5 GPM Aerator, 3/4-27 UN Female
2	5SP-10-F15	10 1/8" Swing Nozzle
3	013839-25	equip Swivel Nut
4	013848-45	O-Ring
5	5-HDL-L	equip Lever Handle w/ Color Coded Screws
6	013788-45	equip Quarter-Turn Ceramic Cartridge, LTC (Blue)
7	001019-45	Coupling Nut Washer
8	00AA	1/2" NPT Female Eccentric Flange
9	013787-45	equip Quarter-Turn Ceramic Cartridge, RTC (Red)
10	B-0425-M	1/2" NPT Male Supply Nipple Kit (2)



Model Number
5F-6DLS10-F15

Product Compliance:
ASME A112.18.1 / CSA B125.1
NSF 61 - Section 9
NSF 372 (Low Lead Content)
ANSI A117.1 (ADA)

Product Specifications:
6" Deck Mount Mixing Faucet w/ equip Quarter-Turn Ceramic Cartridges, equip Lever Handles, 10 1/8" equip Swing Nozzle with 1.5 GPM Aerator & 1/2" NPT Male Supply Nipple Kit

equip
Foodservice
Accessories



by 

2 Saddleback Cove, P.O. Box 1088
Travelers Rest, South Carolina 29690
Phone: 800.891.4808 Fax: 800.868.0084
equip.tsbrass.com