



**Architect/Engineering Specifications:**

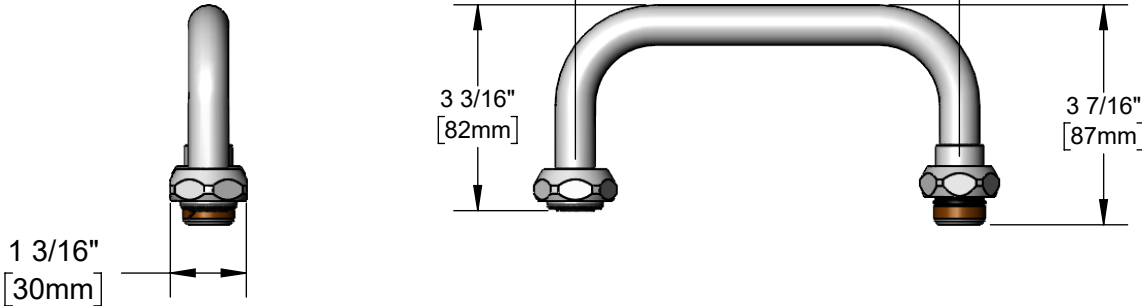
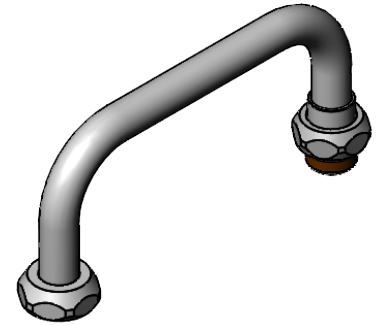
6" front section for double joint nozzles. Certified to NSF 61-Section 9 and NSF 372.

Job Name \_\_\_\_\_

Model Specified \_\_\_\_\_ Quantity \_\_\_\_\_

Variations Specified \_\_\_\_\_

Date \_\_\_\_\_



**Features & Benefits:**

- 6" front section for double joint swing nozzles
- Accepts 035A heat resistant outlet
- Fits all T&S double joint back section outlets
- Material: Chrome plated brass tubular spout

**Product Compliance:**

- NSF 61 - Section 9
- NSF 372 (Low Lead Content)



**Warranty:** One Year (Limited)



**Performance Data:**

- N/A

