



T&S BRASS AND BRONZE WORKS, INC.

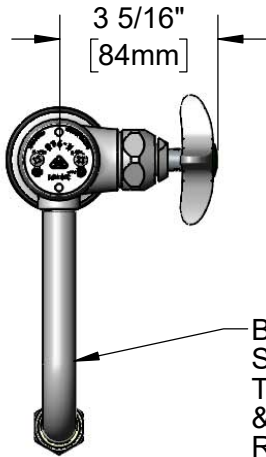
2 Saddleback Cove / P.O. Box 1088
Travelers Rest, SC 29690

Model No.

BL-5709-08

Item No.

Travelers Rest, SC: 800-476-4103 • Simi Valley, CA: 800-423-0150 • Fax: 864-834-3518 • www.tsbrass.com



ADA Compliant

This Space for Architect/Engineer Approval

Job Name _____ Date _____

Model Specified _____ Quantity _____

Customer/Wholesaler _____

Contractor _____

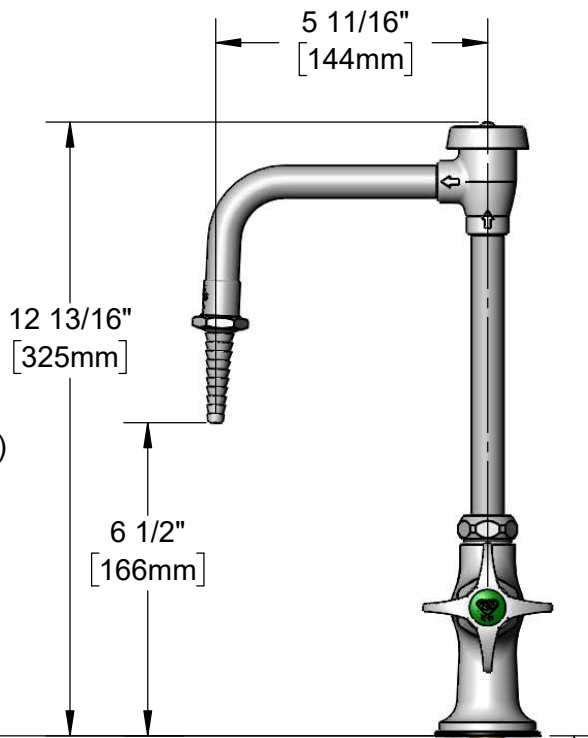
Architect/Engineer _____

BL-5560-03
Swivel Nozzle w/ Serrated
Tip w/ 0.5 GPM Flow Control
& Washer. Rigid Conversion
Requires 014200-45 Lock
Washer (Included)



B-0968
3/8" NPT
Vacuum Breaker

Quarter-Turn
Eterna Cartridge
w/ Spring Check,
4-Arm Lab Handle &
Color Coded Index (CW)



2 7/16"
[61mm]

Ø 2" [51mm]
Flange w/
Black Plastic Deck
Gasket & 1/2" NPSM
Male Inlet

150A
Optional Tailpiece &
Nut For 1/4" NPT
Connection (Included)

1 1/2"
[38mm]
Maximum
Thickness

Rough-in Requirement:
Ø 1" [25mm] Hole

Product Specifications:

Single Temperature Lab Faucet w/ Vacuum Breaker Swivel Nozzle,
Serrated Tip Outlet w/ 0.5 GPM Flow Control, Quarter-Turn Eterna Cartridge
w/ Spring Check, 4-Arm Handle & 1/2" NPSM Male Inlet

Product Compliance:

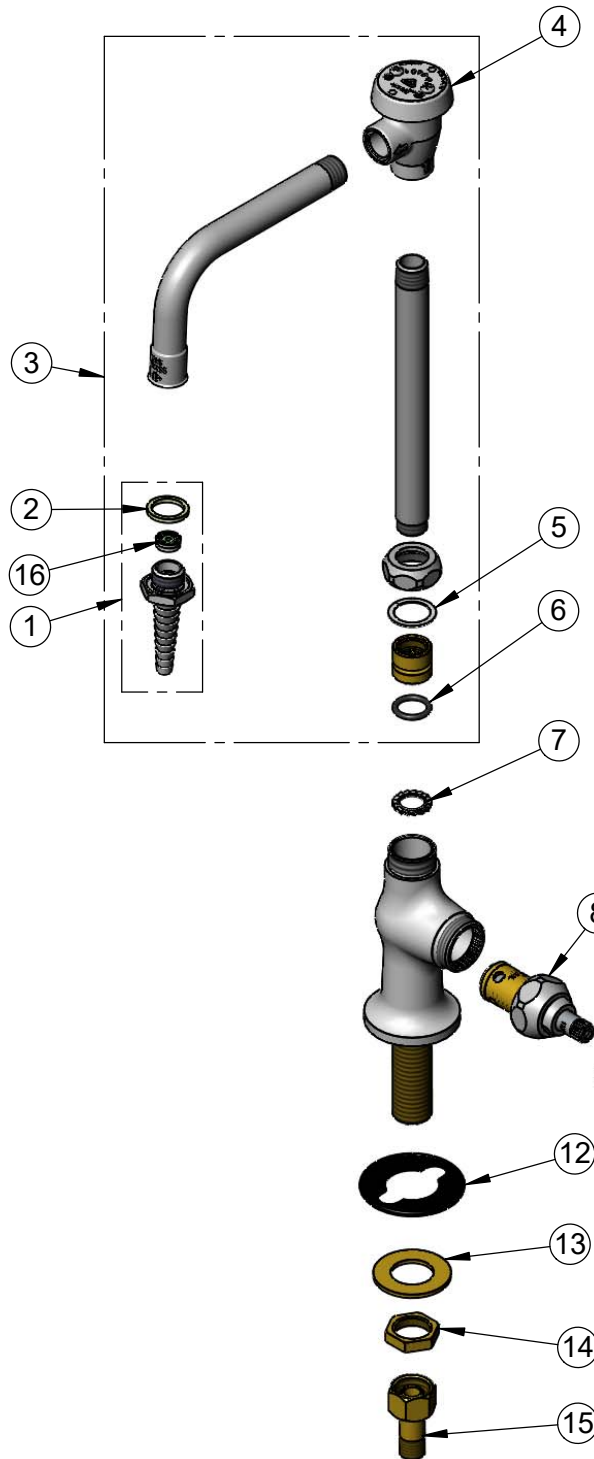
ASME A112.18.1 / CSA B125.1
NSF 61 - Section 9
NSF 372 (Low Lead Content)
ANSI A117.1 (ADA)
ASSE 1001 (VB)



T&S BRASS AND BRONZE WORKS, INC.
 2 Saddleback Cove / P.O. Box 1088
 Travelers Rest, SC 29690

Model No.
BL-5709-08
 Item No.

Travelers Rest, SC: 800-476-4103 • Simi Valley, CA: 800-423-0150 • Fax: 864-834-3518 • www.tsbrass.com



ITEM NO.	SALES NO.	DESCRIPTION
1	B-0198-FD05	Serrated Tip w/ 0.5 GPM Flow Disc & Washer
2	001051-45	Washer
3	BL-5560-03	Swivel Vacuum Breaker Nozzle w/ Serrated Tip w/ 0.5 GPM Flow Disc
4	B-0968	Vacuum Breaker, 3/8"
5	009538-45	Swivel Washer
6	001074-45	O-ring
7	014200-45	Star Washer, Anti-Rotation
8	012443-40NS	Quarter-Turn Eterna Cartridge w/ Spring Check, RTC
9	002521-45NS	4-Arm Handle (New Style)
10	000925-45	Lab Handle Screw
11	001191-45NS	Green "CW" Lab Button Index
12	144L	Black Plastic Gasket
13	000999-45	Brass Lock Washer
14	002954-45	Shank Lock Nut
15	150A	1/4" NPT Tailpiece
16	FD05	Flow Disc, 0.5 GPM [1.9 L/min.] (Lime)

Product Specifications:
 Single Temperature Lab Faucet w/ Vacuum Breaker Swivel Nozzle, Serrated Tip Outlet w/ 0.5 GPM Flow Control, Quarter-Turn Eterna Cartridge w/ Spring Check, 4-Arm Handle & 1/2" NPSM Male Inlet

Product Compliance:
 ASME A112.18.1 / CSA B125.1
 NSF 61 - Section 9
 NSF 372 (Low Lead Content)
 ANSI A117.1 (ADA)
 ASSE 1001 (VB)