



# T&S BRASS AND BRONZE WORKS, INC.

2 Saddleback Cove / P.O. Box 1088  
Travelers Rest, SC 29690

Model No.

**B-0300-A16-WD**

Item No.

Travelers Rest, SC: 800-476-4103 • Simi Valley, CA: 800-423-0150 • Fax: 864-834-3518 • www.tsbrass.com

This Space for Architect/Engineer Approval

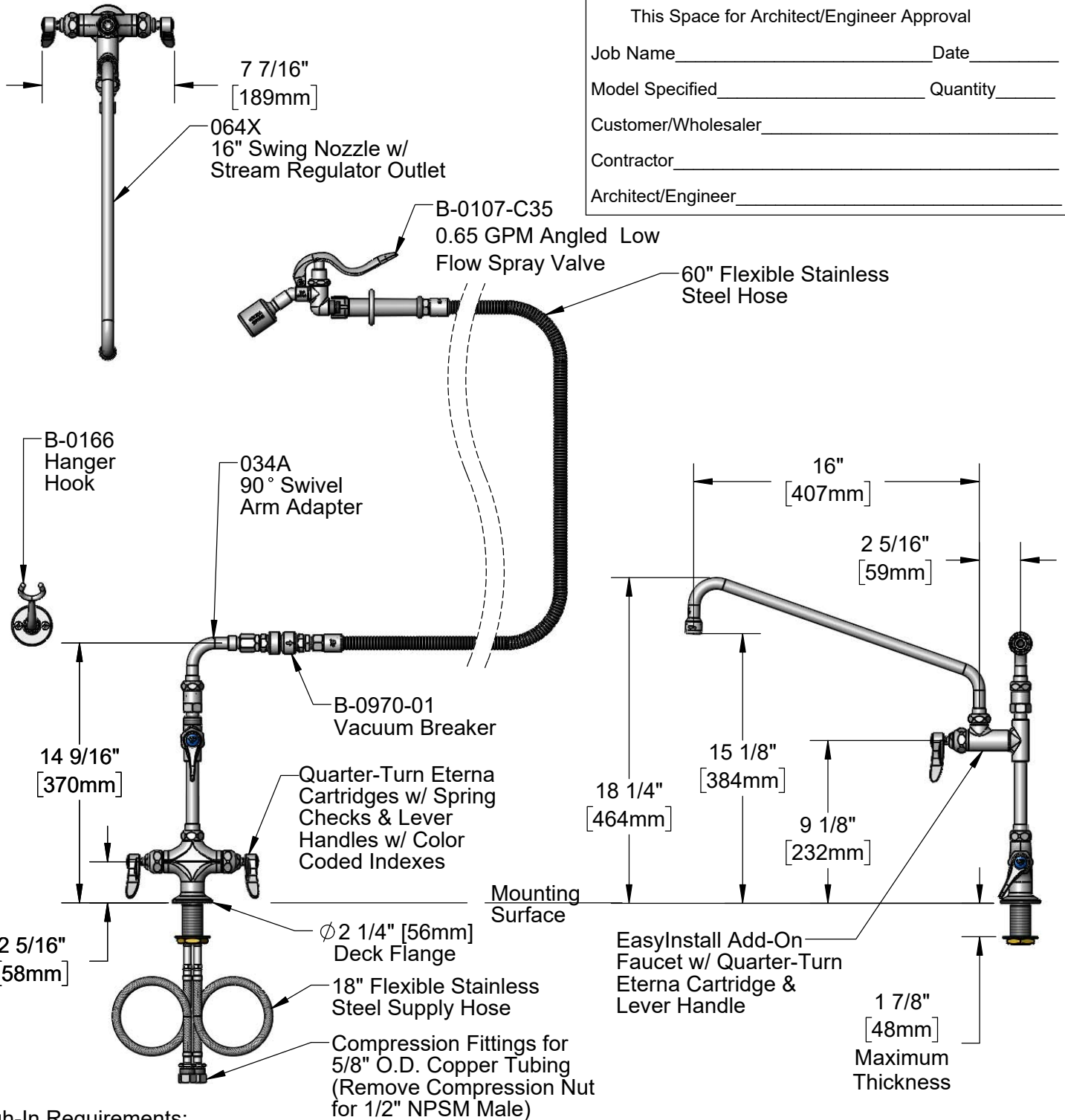
Job Name \_\_\_\_\_ Date \_\_\_\_\_

Model Specified \_\_\_\_\_ Quantity \_\_\_\_\_

Customer/Wholesaler \_\_\_\_\_

Contractor \_\_\_\_\_

Architect/Engineer \_\_\_\_\_



Rough-In Requirements:  
Ø 1 1/2" [38mm] Mounting Hole

**Product Specifications:**

Double Pantry Deck Mount Faucet, Quarter-Turn Eterna Cartridges w/ Spring Checks, Add-On Faucet, 16" Swing Nozzle, Stream Regulator Outlet, 0.65 GPM Low Flow Angled Spray Valve, 60" Flexible Stainless Steel Hose, Vacuum Breaker & Flexible Stainless Steel Supply Hoses

**Product Compliance:**

ASME A112.18.1 / CSA B125.1  
NSF 61 - Section 9  
NSF 372 (Low Lead Content)  
2019 DOE PRSV - Class I  
CSA B64.8 (VB)



# T&S BRASS AND BRONZE WORKS, INC.

2 Saddleback Cove / P.O. Box 1088  
Travelers Rest, SC 29690

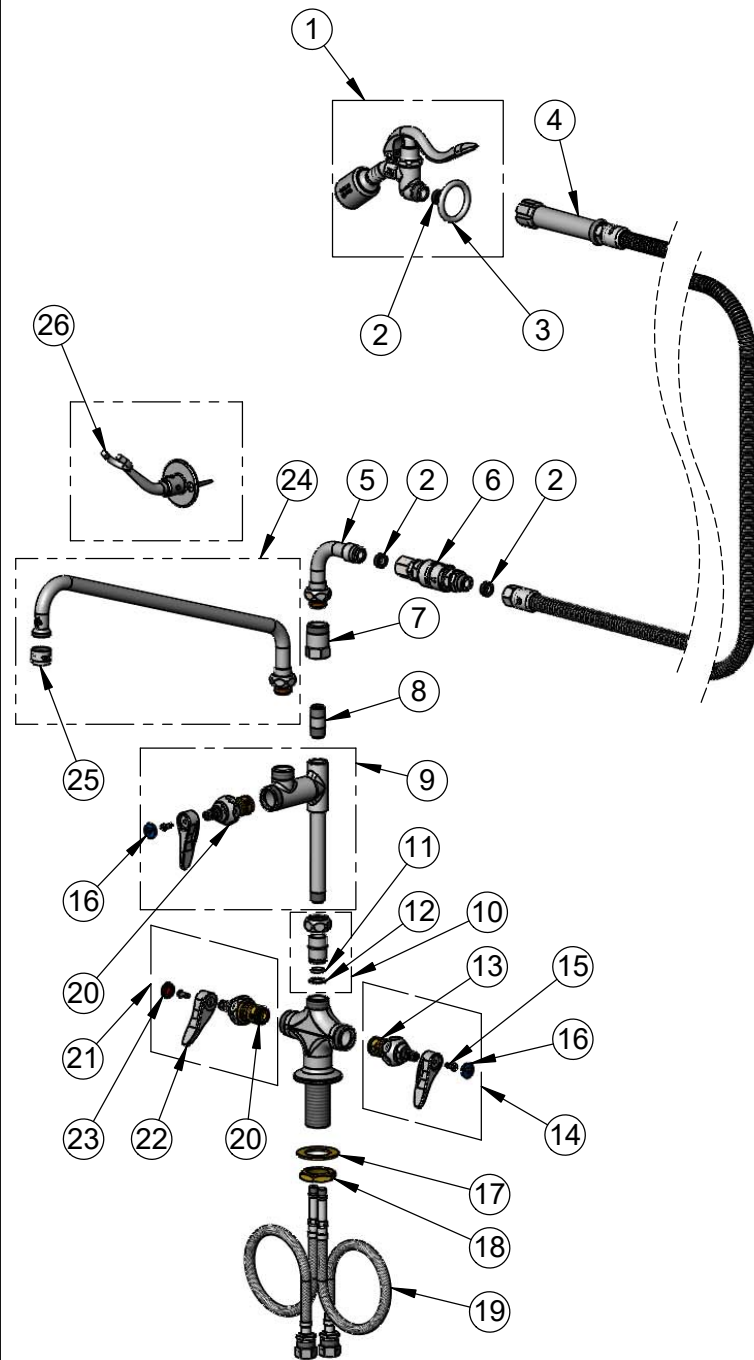
Model No.

**B-0300-A16-WD**

Item No.

Travelers Rest, SC: 800-476-4103 • Simi Valley, CA: 800-423-0150 • Fax: 864-834-3518 • www.tsbrass.com

	ITEM NO.	SALES NO.	DESCRIPTION
	1	B-0107-C35	0.65 GPM Low Flow Angled Spray Valve
	2	010476-45	#27 Washer
	3	000907-45	Spray Valve Hold Down Ring
	4	B-0060-H	60" Flexible Stainless Steel Hose
	5	034A	Swivel Adapter, 90°
	6	B-0970-01	Vacuum Breaker
	7	054X	Swivel Body
	8	002341-40	Nipple, 3/8" NPT x 1-1/2"
	9	B-0155-05LN	Add-On Faucet, Less Nozzle
	10	EZ-K	EasyInstall Kit
	11	001065-45	O-Ring
	12	014200-45	Star Washer, Anti-Rotation
	13	012442-40NS	Quarter-Turn Eterna Cartridge w/ Spring Check, LTC
	14	002711-40NS	Quarter-Turn Eterna Cartridge w/ Spring Check, Handle, Blue Index & Screw, LTC
	15	000925-45	Lab Handle Screw
	16	018506-19NS	Blue Button Index, Press-in
	17	002290-45	Lock Washer
	18	000965-45	Lock Nut
	19	012534-45	18" Flexible Supply Hose (2)
	20	012443-40NS	Quarter-Turn Eterna Cartridge w/ Spring Check, RTC
	21	002712-40NS	Quarter-Turn Eterna Cartridge w/ Spring Check, Handle, Red Index & Screw, RTC
	22	001638-45NS	Lever Handle (New Style)
	23	001193-19NS	Red Button Index, Press-in
	24	064X	16" Swing Nozzle
	25	B-PT	Full Flow Stream Regulator, 55/64-27
	26	B-0166	Hangar Hook



**Product Specifications:**  
 Double Pantry Deck Mount Faucet, Quarter-Turn Eterna Cartridges w/ Spring Checks, Add-On Faucet, 16" Swing Nozzle, Stream Regulator Outlet, 0.65 GPM Low Flow Angled Spray Valve, 60" Flexible Stainless Steel Hose, Vacuum Breaker & Flexible Stainless Steel Supply Hoses

**Product Compliance:**  
 ASME A112.18.1 / CSA B125.1  
 NSF 61 - Section 9  
 NSF 372 (Low Lead Content)  
 2019 DOE PRSV - Class I  
 CSA B64.8 (VB)