



T&S BRASS AND BRONZE WORKS, INC.
 2 Saddleback Cove / P.O. Box 1088
 Travelers Rest, SC 29690

Model No.
HG-2-K-FF Series

Item No.

Travelers Rest, SC: 800-476-4103 • Simi Valley, CA: 800-423-0150 • Fax: 864-834-3518 • www.tsbrass.com

This Space for Architect/Engineer Approval

Job Name _____ Date _____

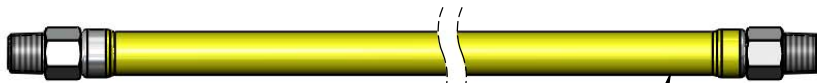
Model Specified _____ Quantity _____

Customer/Wholesaler _____

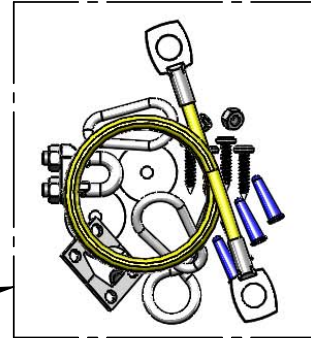
Contractor _____

Architect/Engineer _____

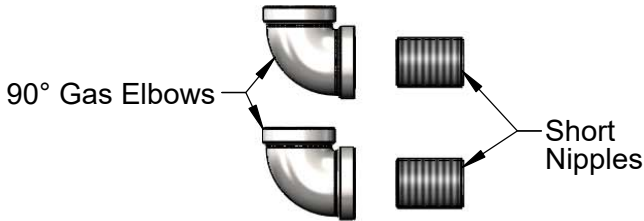
SAFE-T-LINK



Coated Gas Connector
w/ NPT Male Ends



AG-RC
Restraining
Cable Kit

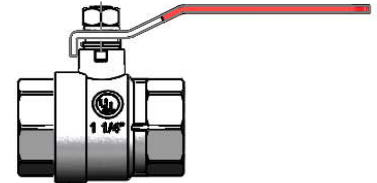


90° Gas Elbows

Short
Nipples



1/2", 3/4" & 1"
Ball Valve



1 1/4" Ball Valve

"L" = Length	1/2" NPT
48"	HG-2C-48K-FF

"L" = Length	3/4" NPT
24"	HG-2D-24K-FF
48"	HG-2D-48K-FF

"L" = Length	1" NPT
48"	HG-2E-48K-FF

"L" = Length	1 1/4" NPT
48"	HG-2F-48K-FF

HG-2-K Series Product Configurator: HG - 2 - K-FF

Ex: HG - 2 - K-FF

Gas Hose, 3/4" NPT Male Ends, 36" Length, (2) 90° Gas Elbows,
 (2) Short Nipples, (1) Ball Valve, (1) Cable Kit

Product Specifications:
 Safe-T-Link Gas Appliance Connector: Coated Hose w/ NPT Male Ends,
 (2) 90° Gas Elbows, (2) Short Nipples, Ball Valve & Restraining Cable Kit

Product Compliance:
 ANSI Z21.69 / CSA 6.16
 NSF 2
 NFPA 54