



T&S BRASS AND BRONZE WORKS, INC.

2 Saddleback Cove / P.O. Box 1088
Travelers Rest, SC 29690

Model No.

B-0602

Item No.

Travelers Rest, SC: 800-476-4103 • Simi Valley, CA: 800-423-0150 • Fax: 864-834-3518 • www.tsbrass.com

This Space for Architect/Engineer Approval

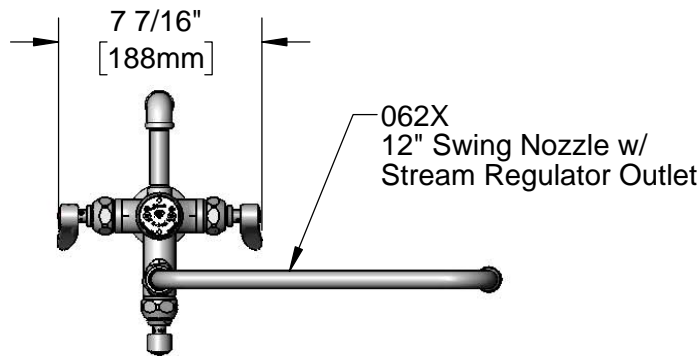
Job Name _____ Date _____

Model Specified _____ Quantity _____

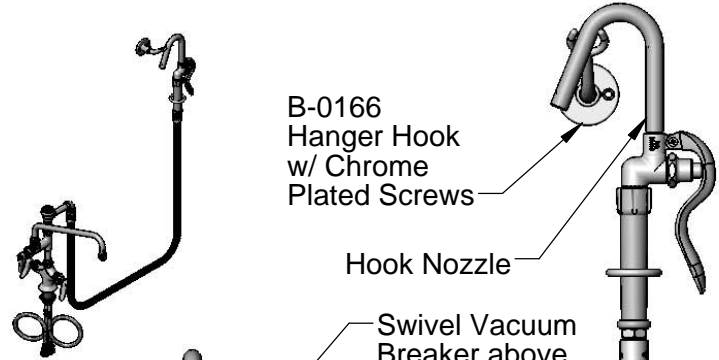
Customer/Wholesaler _____

Contractor _____

Architect/Engineer _____



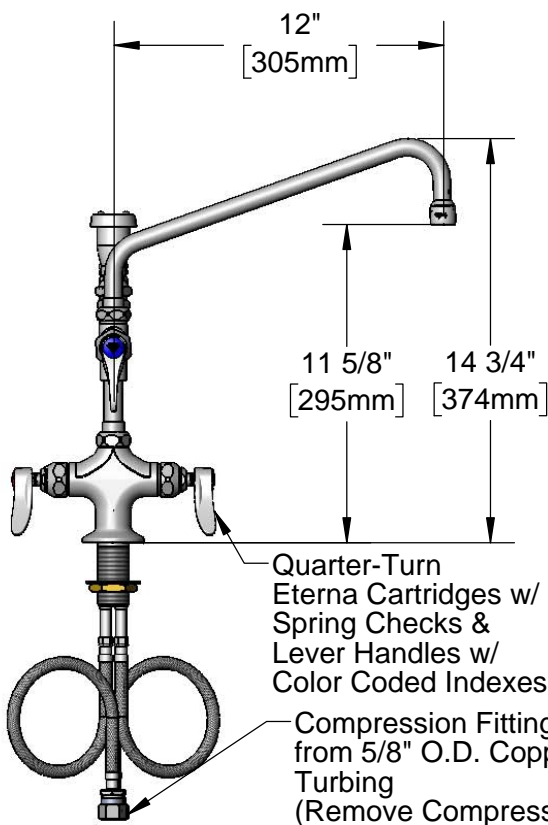
062X
12" Swing Nozzle w/
Stream Regulator Outlet



B-0166
Hanger Hook
w/ Chrome
Plated Screws

Hook Nozzle

Swivel Vacuum
Breaker above
Add-on Faucet



Quarter-Turn
Eterna Cartridges w/
Spring Checks &
Lever Handles w/
Color Coded Indexes

Compression Fittings
from 5/8" O.D. Copper
Turbing
(Remove Compression
Nut for 1/2" NPSM Male)

EasyInstall
Add-On
Faucet w/
Quarter Turn
Eterna Cartridge
w/ Spring Check
& Lever Handle

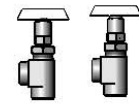
18" Flexible
Stainless Steel
Supply Hoses

60"
Stainless Steel
Hose

(2) 013121-45
36" Flexible Stainless Steel Supply Hoses
w/ 1/2" NPT Male x 1/2" NPSM Female Connectors
(Included)



(2) B-0418
1/2" NPT Female Inlets
Supply Stop
(Included)



Product Specifications:
Single Hole Deck Mount Mixing Faucet w/ Flexible Supply Hoses, Supply Elbows, Add-On Faucet w/ 12" Swing Nozzle, Vacuum Breaker, and 60" Hose & Spray, (2) 36" Flexible Stainless Steel Hoses & (2) 1/2" NPT Female Supply Stops

Product Compliance:
ASME A112.18.1 / CSA B125.1
NSF 61 - Section 9
NSF 372 (Low Lead Content)
ASSE 1001 (VB)



T&S BRASS AND BRONZE WORKS, INC.

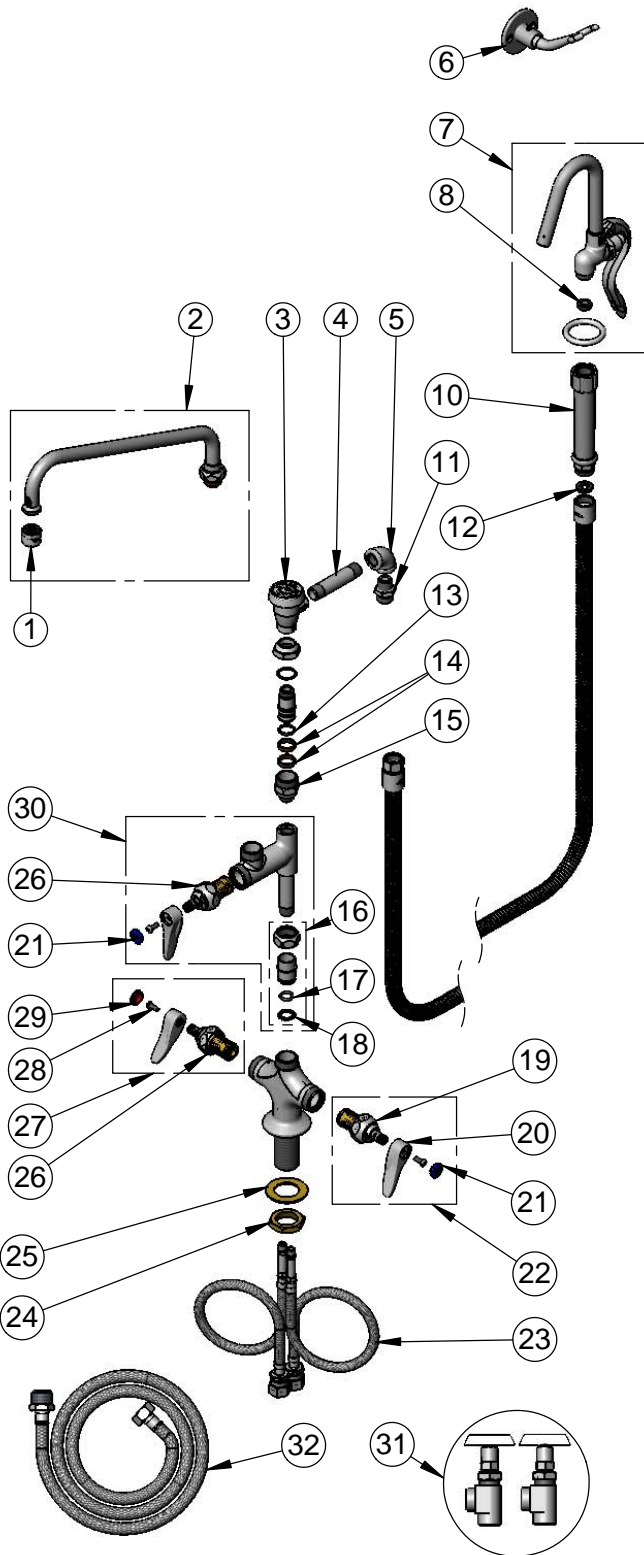
2 Saddleback Cove / P.O. Box 1088
Travelers Rest, SC 29690

Model No.

B-0602

Item No.

Travelers Rest, SC: 800-476-4103 • Simi Valley, CA: 800-423-0150 • Fax: 864-834-3518 • www.tsbrass.com



ITEM NO.	SALES NO.	DESCRIPTION
1	B-PT	Full Flow Stream Regulator
2	062X	12" Swing Nozzle w/ Stream Regulator
3	B-0968	3/8" NPT Vacuum Breaker
4	000358-40	Nipple, 3/8" NPT x 3"
5	001355-40	Elbow, 3/8 NPT
6	B-0166	B-109 Wall Bracket Body
7	002851-40	Hook Nozzle & Spray Valve
8	010476-45	#27 Washer
9	000907-45	Spray Valve Hold Down Ring
10	002987-40	Grip Handle
11	053A	Adapter, 3/8" NPT Male
12	001014-45	Washer, B-0100 Hose Barrel
13	001074-45	O-Ring
14	011429-45	Swivel Sleeves (2)
15	B-0412	Rigid to Swivel Adapter
16	EZ-K	EasyInstall Kit
17	001065-45	O-Ring
18	014200-45	Star Washer, Anti-Rotation
19	012442-40NS	Quarter-Turn Eterna Cartridge w/ Spring Check, LTC
20	001638-45NS	Lever Handle (New Style)
21	018506-19NS	Blue Button Index, Press-in
22	002711-40NS	Quarter-Turn Eterna Cartridge w/ Spring Check, Handle, Blue Index & Screw, LTC
23	012534-45	18" Flexible Supply Hose (2)
24	000965-45	Lock Nut
25	002290-45	Lock Washer
26	012443-40NS	Quarter-Turn Eterna Cartridge w/ Spring Check, RTC
27	002712-40NS	Quarter-Turn Eterna Cartridge w/ Spring Check, Handle, Red Index & Screw, RTC
28	000925-45	Lab Handle Screw
29	001193-19NS	Red Button Index, Press-in
30	B-0155-LNEZ	EasyInstall Add-On Faucet w/ Eterna Cartridge & Lever Handle (Less Nozzle)
31	B-0418	1/2" NPT Female Supply Stop (2)
32	013121-45	36" Flexible Stainless Steel Hose (2)

Product Specifications:

Single Hole Deck Mount Mixing Faucet w/ Flexible Supply Hoses, Supply Elbows, Add-On Faucet w/ 12" Swing Nozzle, Vacuum Breaker, and 60" Hose & Spray, (2) 36" Flexible Stainless Steel Hoses & (2) 1/2" NPT Female Supply Stops

Product Compliance:

ASME A112.18.1 / CSA B125.1
NSF 61 - Section 9
NSF 372 (Low Lead Content)
ASSE 1001 (VB)