



# T&S BRASS AND BRONZE WORKS, INC.

2 Saddleback Cove / P.O. Box 1088  
Travelers Rest, SC 29690

Model No.

**B-0171-01**

Item No.

Travelers Rest, SC: 800-476-4103 • Simi Valley, CA: 800-423-0150 • Fax: 864-834-3518 • www.tsbrass.com

This Space for Architect/Engineer Approval

Job Name \_\_\_\_\_ Date \_\_\_\_\_

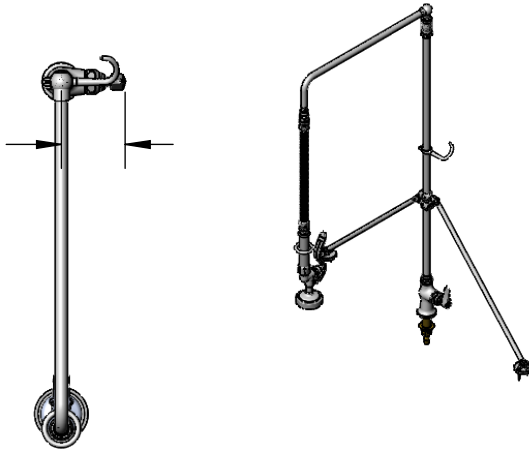
Model Specified \_\_\_\_\_ Quantity \_\_\_\_\_

Customer/Wholesaler \_\_\_\_\_

Contractor \_\_\_\_\_

Architect/Engineer \_\_\_\_\_

3 5/16"  
[84mm]



Items Not Shown  
for Clarity

3/8" NPT x 32" Riser

20" Flexible Stainless  
Steel Hose w/ Spray  
Valve

Finger Hook

Quarter-Turn Eterna  
Cartridge w/ Spring  
Check & Lever Handle  
w/ Color Coded Index

B-0119  
Bi-Pod Riser  
Supports

360° Swivel  
Joint

B-0107  
1.15 GPM  
Spray Valve

39 3/16"  
[995mm]

10 1/16"  
[255mm]

17 5/16"  
[439mm]

EasyInstall  
Lock Nut &  
Bushing

Ø 2"  
[51mm]  
Flange

Mounting  
Surface

150A  
Optional Tailpiece & Nut  
for 1/4" NPT Connection  
(Included)

1 5/8"  
[41mm]  
Maximum  
Thickness

1/2" NPSM  
Male Inlet

Rough-In Requirement:  
Ø 1" [25mm] Mounting Hole

### Product Specifications:

Single Hole, Single Temperature Deck Mount Mixing Faucet, Quarter-Turn Eterna Cartridge w/ Spring Check, Lever Handle, 18" Overhead Swivel Arm, Bi-Pod Riser Supports, 20" Flexible Stainless Steel Hose, 1.15 GPM Spray Valve & 1/2" NPSM Male Inlet

### Product Compliance:

ASME A112.18.1 / CSA B125.1  
NSF 61 - Section 9  
NSF 372 (Low Lead Content)  
2019 DOE PRSV - Class II



# T&S BRASS AND BRONZE WORKS, INC.

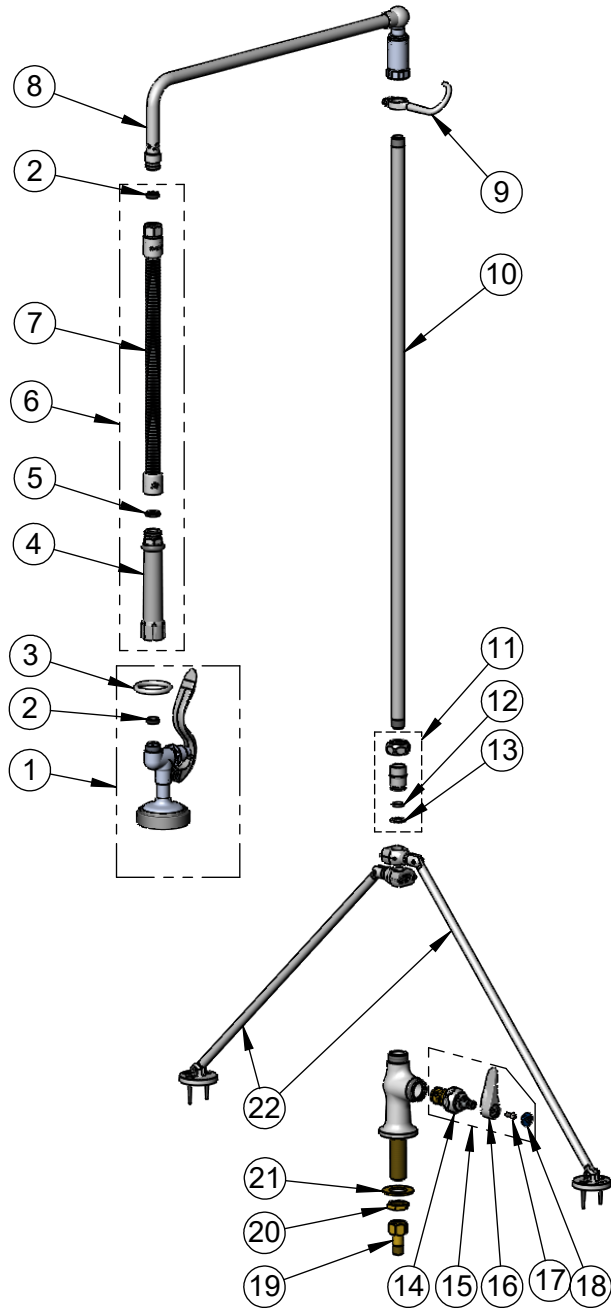
2 Saddleback Cove / P.O. Box 1088  
Travelers Rest, SC 29690

Model No.

**B-0171-01**

Item No.

Travelers Rest, SC: 800-476-4103 • Simi Valley, CA: 800-423-0150 • Fax: 864-834-3518 • www.tsbrass.com



ITEM NO.	SALES NO.	DESCRIPTION
1	B-0107	1.15 GPM Spray Valve
2	010476-45	#27 Washer
3	000907-45	Spray Valve Hold Down Ring
4	002987-40	Grip Handle
5	001014-45	Washer, Hose Barrel
6	B-0020-H	20" Flexible Stainless Steel Hose w/ Handle
7	B-0020-H2A	20" Flexible Stainless Steel Hose - Less Handle
8	002883-40	18" Swivel L-Tube
9	004R	Finger Hook
10	000376-40	3/8" NPT x 32" Riser
11	EZ-K	EasyInstall Kit
12	001065-45	O-Ring
13	014200-45	Star Washer, Anti-Rotation
14	012443-40NS	Quarter-Turn Eterna Cartridge w/ Spring Check, RTC
15	019639-40	Quarter-Turn Eterna Cartridge RTC w/ Spring Check, Handle, Blue Index & Screw
16	001638-45NS	Lever Handle (New Style)
17	000925-45	Lab Handle Screw
18	018506-19NS	Blue Button Index, Press-in
19	150A	1/4" NPT Tailpiece & Nut
20	002954-45	Shank Lock Nut
21	000999-45	Brass Lock Washer
22	B-0119	Bi-Pod Riser Supports

**Product Specifications:**

Single Hole, Single Temperature Deck Mount Mixing Faucet, Quarter-Turn Eterna Cartridge w/ Spring Check, Lever Handle, 18" Overhead Swivel Arm, Bi-Pod Riser Supports, 20" Flexible Stainless Steel Hose, 1.15 GPM Spray Valve & 1/2" NPSM Male Inlet

**Product Compliance:**

ASME A112.18.1 / CSA B125.1  
NSF 61 - Section 9  
NSF 372 (Low Lead Content)  
2019 DOE PRSV - Class II