



T&S BRASS AND BRONZE WORKS, INC.

2 Saddleback Cove / P.O. Box 1088
Travelers Rest, SC 29690

Model No.

BL-5707-04

Item No.

Travelers Rest, SC: 800-476-4103 • Simi Valley, CA: 800-423-0150 • Fax: 864-834-3518 • www.tsbrass.com



ADA Compliant

This Space for Architect/Engineer Approval

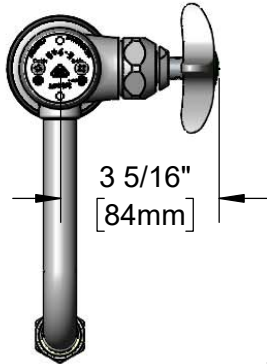
Job Name _____ Date _____

Model Specified _____ Quantity _____

Customer/Wholesaler _____

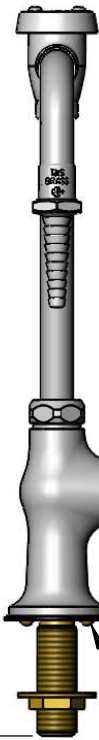
Contractor _____

Architect/Engineer _____



3 5/16"
[84mm]

BL-5560-03
Swivel/Rigid Vacuum Breaker
Nozzle w/ Serrated Tip Outlet
w/ 0.5 GPM Flow Control.
Converts to Rigid w/ 014200-45
Lock Washer (Included)



Quarter-Turn Eterna
Cartridge w/ Spring
Check & 4-Arm Lab
Handle w/ Vandal
Resistant Screw &
Color Coded Index

2 11/16"
[68mm]

Mounting
Surface

2 7/16"
[61mm]

Ø 2" [51mm]
Flange w/
Black Plastic Deck
Gasket & 1/2" NPSM
Male Inlet

Brass Balls for
Vandal Resistance

B-0968
3/8" NPT
Vacuum Breaker



5 11/16"
[144mm]

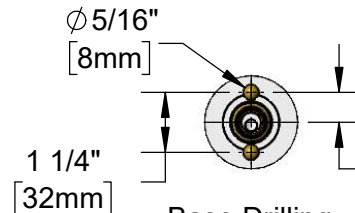
12 13/16"
[325mm]

6 1/2"
[166mm]

Ø 2 3/16"
[56mm]
Deck Gasket

150A
Optional Tailpiece &
Nut For 1/4" NPT
Connection (Included)

1 1/2"
[38mm]
Maximum
Thickness



1 1/4"
[32mm]

**Base Drilling
Detail**

5/8"
[16mm]

Rough-In Requirement:
Ø 1" [25mm] Mounting Hole

Product Specifications:

Single Hole Single Temperature Deck Mount Vandal Resistant Laboratory Faucet, Quarter-Turn Eterna Cartridge w/ Spring Check, 4-Arm Lab Handle w/ Vandal Resistant Screw, Swivel/Rigid Vacuum Breaker Nozzle, Serrated Tip Outlet w/ 0.5 GPM Flow Control & 1/2" NPSM Male Inlet

Product Compliance:

ASME A112.18.1 / CSA B125.1
NSF 61 - Section 9
NSF 372 (Low Lead Content)
ANSI A117.1 (ADA)
ASSE 1001 (VB)



T&S BRASS AND BRONZE WORKS, INC.

2 Saddleback Cove / P.O. Box 1088
Travelers Rest, SC 29690

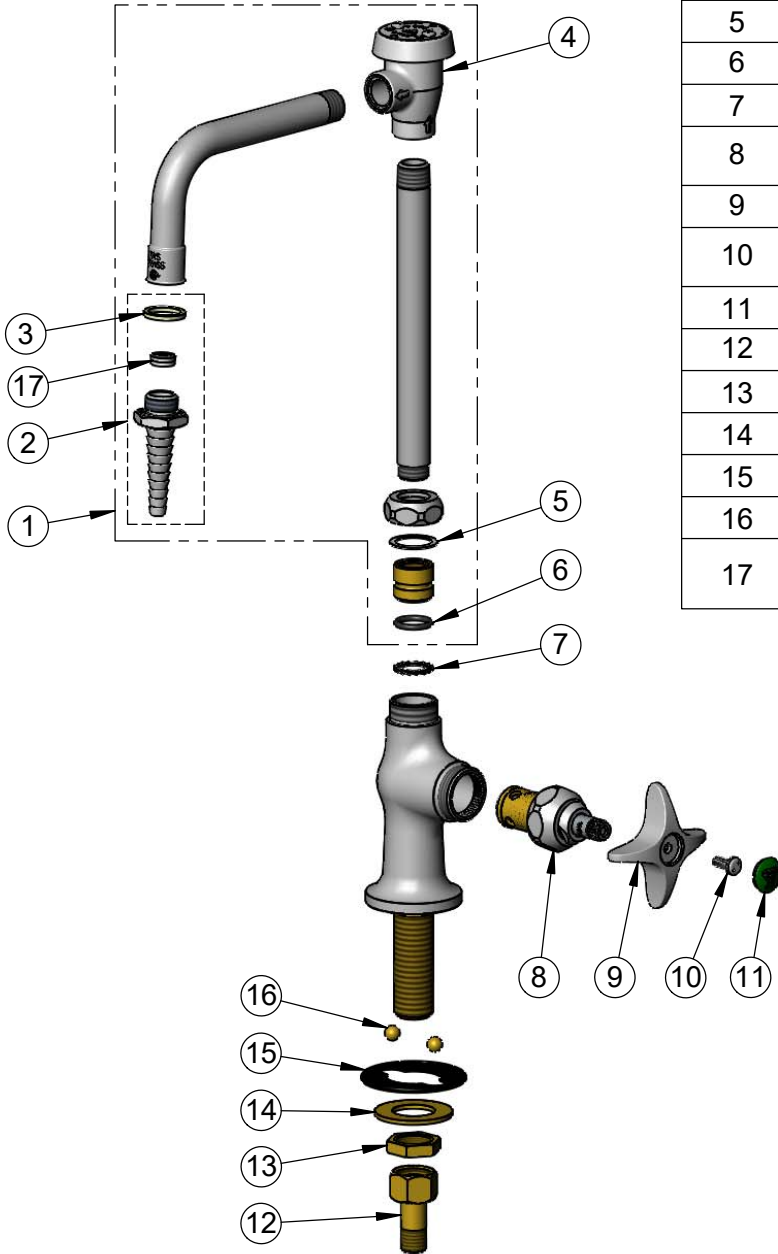
Model No.

BL-5707-04

Item No.

Travelers Rest, SC: 800-476-4103 • Simi Valley, CA: 800-423-0150 • Fax: 864-834-3518 • www.tsbrass.com

ITEM NO.	SALES NO.	DESCRIPTION
1	BL-5560-03	Swivel Vacuum Breaker Nozzle w/ Serrated Tip & 0.5 GPM Flow Disc
2	B-0198-FD05	Serrated Tip w/ 0.5 Flow Disc & Washer
3	001051-45	Washer
4	B-0968	3/8" NPT Vacuum Breaker
5	009538-45	Swivel Washer
6	001074-45	O-ring
7	014200-45	Star Washer, Anti-Rotation
8	012443-40NS	Quarter-Turn Eterna Cartridge w/ Spring Check, RTC
9	002521-45NS	4-Arm Handle (New Style)
10	VRS-2	VR Wrist Action Handle Screw (2) w/ Spanner Bit
11	001191-45NS	Green "CW" Lab Button Index
12	150A	1/4" NPT Tailpiece & Nut
13	002954-45	Shank Lock Nut
14	000999-45	Brass Lock Washer
15	144L	Black Plastic Deck Gasket
16	001408-45	5/16" Brass Ball
17	FD05	Flow Disc, 0.5 GPM [1.9 L/min.] (Lime)



014075-45
#10 Spanner Bit

Product Specifications:

Single Hole Single Temperature Deck Mount Vandal Resistant Laboratory Faucet, Quarter-Turn Eterna Cartridge w/ Spring Check, 4-Arm Lab Handle w/ Vandal Resistant Screw, Swivel/Rigid Vacuum Breaker Nozzle, Serrated Tip Outlet w/ 0.5 GPM Flow Control & 1/2" NPSM Male Inlet

Product Compliance:

ASME A112.18.1 / CSA B125.1
NSF 61 - Section 9
NSF 372 (Low Lead Content)
ANSI A117.1 (ADA)
ASSE 1001 (VB)