



**T&S BRASS AND BRONZE WORKS, INC.**  
 2 Saddleback Cove / P.O. Box 1088  
 Travelers Rest, SC 29690

Model No.

**PG-8DSAN-06**

Item No.

Travelers Rest, SC: 800-476-4103 • Simi Valley, CA: 800-423-0150 • Fax: 864-834-3518 • www.tsbrass.com

This Space for Architect/Engineer Approval

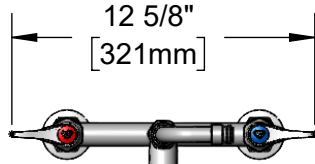
Job Name \_\_\_\_\_ Date \_\_\_\_\_

Model Specified \_\_\_\_\_ Quantity \_\_\_\_\_

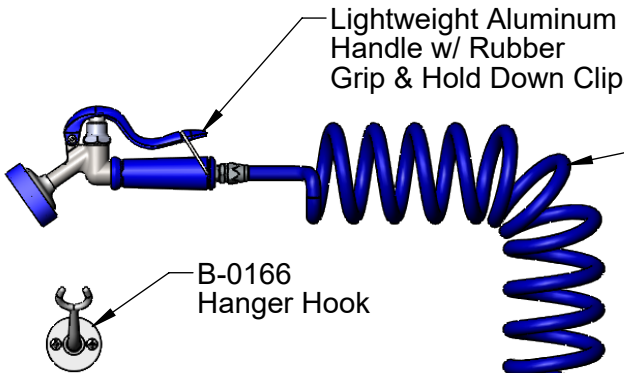
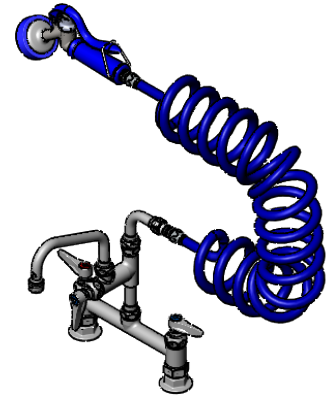
Customer/Wholesaler \_\_\_\_\_

Contractor \_\_\_\_\_

Architect/Engineer \_\_\_\_\_

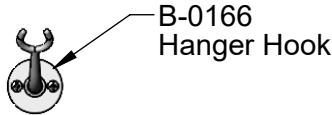


059X  
 6" Swing Nozzle w/  
 Stream Regulator Outlet

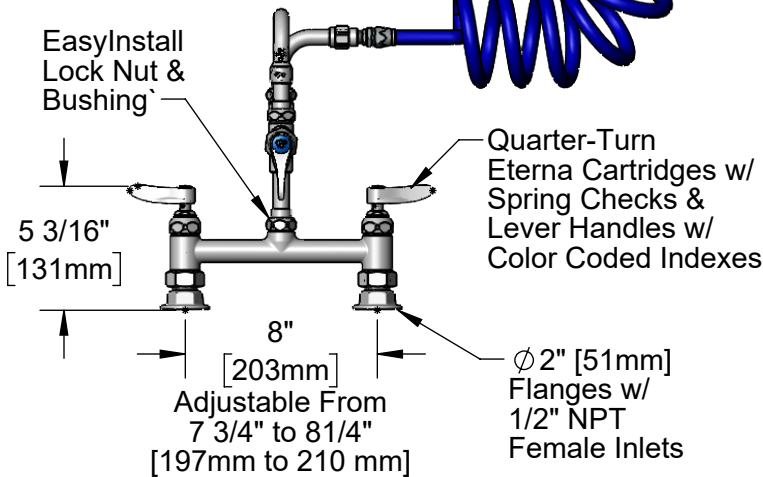


Lightweight Aluminum  
 Handle w/ Rubber  
 Grip & Hold Down Clip

Coiled Polyurethane Hose  
 Maximum Stretch Length of 9 ft



B-0166  
 Hanger Hook



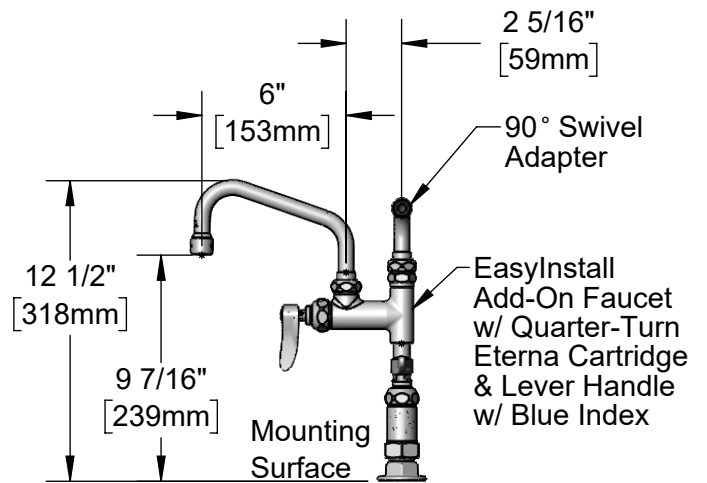
EasyInstall  
 Lock Nut &  
 Bushing

5 3/16"  
 [131mm]

8"  
 [203mm]  
 Adjustable From  
 7 3/4" to 8 1/4"  
 [197mm to 210 mm]

Quarter-Turn  
 Eterna Cartridges w/  
 Spring Checks &  
 Lever Handles w/  
 Color Coded Indexes

Ø2" [51mm]  
 Flanges w/  
 1/2" NPT  
 Female Inlets



2 5/16"  
 [59mm]

6"  
 [153mm]

90° Swivel  
 Adapter

12 1/2"  
 [318mm]

9 7/16"  
 [239mm]

Mounting  
 Surface

EasyInstall  
 Add-On Faucet  
 w/ Quarter-Turn  
 Eterna Cartridge  
 & Lever Handle  
 w/ Blue Index

Product Specifications:

Pet Grooming Unit:

8" Deck Mount Mixing Faucet, Quarter-Turn Eterna Cartridges w/ Spring Checks, Lever Handles, Add-On Faucet, 6" Swing Nozzle, Swivel Arm Less Vacuum Breaker, 9 ft Coiled Polyurethane Hose w/ Angled Aluminum Spray Valve & 1/2" NPT Female Inlets

Product Compliance:

ASME A112.18.1 / CSA B125.1  
 NSF 61 Exempt (Non-Potable)



# T&S BRASS AND BRONZE WORKS, INC.

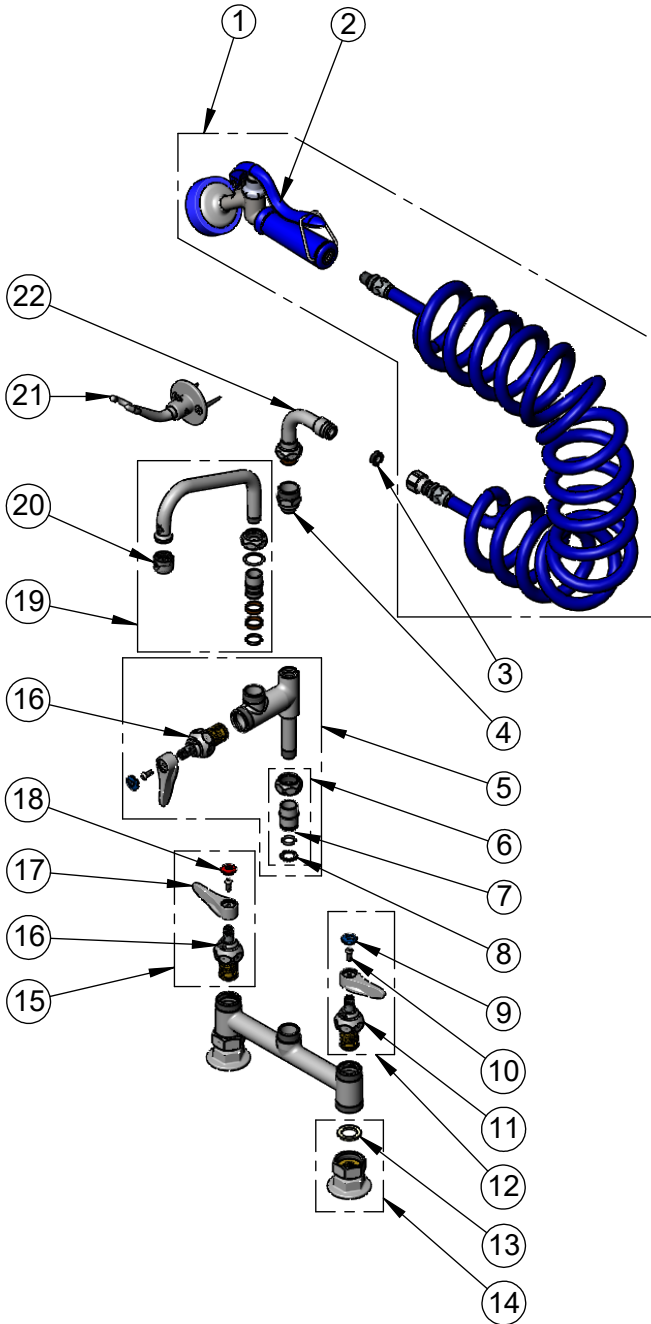
2 Saddleback Cove / P.O. Box 1088  
Travelers Rest, SC 29690

Model No.

**PG-8DSAN-06**

Item No.

Travelers Rest, SC: 800-476-4103 • Simi Valley, CA: 800-423-0150 • Fax: 864-834-3518 • www.tsbrass.com



ITEM NO.	SALES NO.	DESCRIPTION
1	PG-35AV-CH05	Spray Valve w/ 9' of Coiled Hose
2	PG-35AV	Aluminum 35° Spray Valve
3	010476-45	#27 Washer
4	B-0412	Rigid to Swivel Adapter
5	B-0155-LNEZ	EasyInstall Add-On Faucet, Eterna Cartridge & Lever Handle, Less Nozzle
6	EZ-K	EasyInstall Kit
7	001065-45	O-Ring
8	014200-45	Star Washer, Anti-Rotation
9	018506-19NS	Blue Button Index, Press-in
10	000925-45	Lab Handle Screw
11	012442-40NS	Quarter-Turn Eterna Cartridge w/ Spring Check, LTC
12	002711-40NS	Quarter-Turn Eterna Cartridge w/ Spring Check, Handle, Blue Index & Screw, LTC
13	001019-45	Coupling Nut Washer
14	00AA	1/2" NPT Female Eccentric Flange
15	002712-40NS	Quarter-Turn Eterna Cartridge w/ Spring Check, Handle, Red Index & Screw, RTC
16	012443-40NS	Quarter-Turn Eterna Cartridge w/ Spring Check, RTC
17	001638-45NS	Lever Handle (New Style)
18	001193-19NS	Red Button Index, Press-in
19	059X	6" Swing Nozzle w/ Stream Regulator Outlet
20	B-PT	Full Flow Stream Regulator, 55/64-27
21	B-0166	Wall Hook
22	034A	Spray Valve 90° Angle Tube

**Product Specifications:**

**Pet Grooming Unit:**

8" Deck Mount Mixing Faucet, Quarter-Turn Eterna Cartridges w/ Spring Checks, Lever Handles, Add-On Faucet, 6" Swing Nozzle, Swivel Arm Less Vacuum Breaker, 9 ft Coiled Polyurethane Hose w/ Angled Aluminum Spray Valve & 1/2" NPT Female Inlets

**Product Compliance:**

ASME A112.18.1 / CSA B125.1  
NSF 61 Exempt (Non-Potable)