



T&S BRASS AND BRONZE WORKS, INC.
 2 Saddleback Cove / P.O. Box 1088
 Travelers Rest, SC 29690

Model No.
B-0592-LF20

Item No.

Travelers Rest, SC: 800-476-4103 • Simi Valley, CA: 800-423-0150 • Fax: 864-834-3518 • www.tsbrass.com

This Space for Architect/Engineer Approval

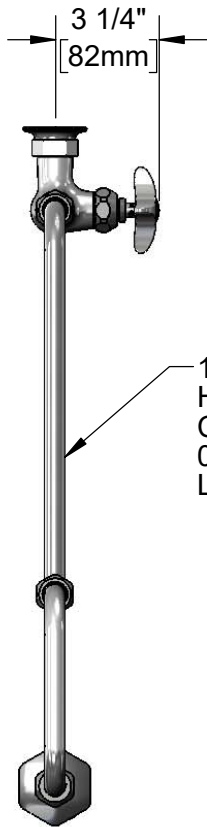
Job Name _____ Date _____

Model Specified _____ Quantity _____

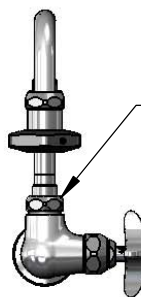
Customer/Wholesaler _____

Contractor _____

Architect/Engineer _____

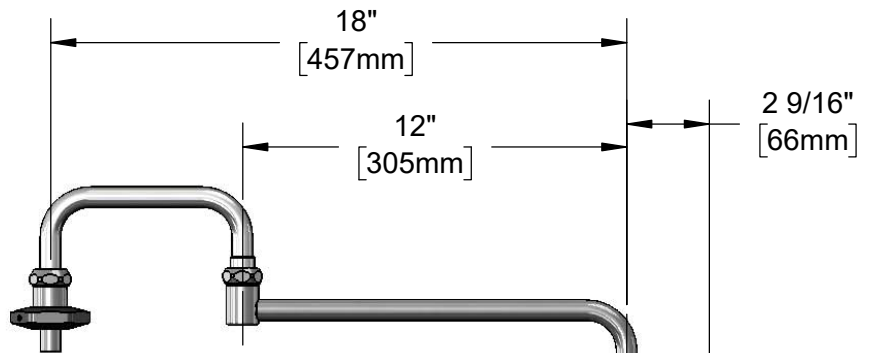


18" Double Joint Swing Nozzle w/
 Heat Resistant "On-Off" Handle.
 Converts to Rigid w/
 014200-45
 Lock Washer (Included)



2.2 GPM Flow Disc
 in Swivel Piece

Quarter-Turn Eterna Cartridge
 w/ Spring Check &
 4-Arm Handle w/
 Color Coded Index



Ø 2" [51mm]
 Flange w/
 1/2" NPT
 Female Inlet

Product Specifications:

Pot Filler Faucet, Quarter-Turn Eterna Cartridge w/ Spring Check, 4-Arm Handle, 18" Double Joint Swing Nozzle w/ Heat Resistant Handle & 2.2 GPM Flow Control Swivel Piece & 1/2" NPT Female Inlet

Product Compliance:

ASME A112.18.1 / CSA B125.1
 NSF 61 - Section 9
 NSF 372 (Low Lead Content)



T&S BRASS AND BRONZE WORKS, INC.

2 Saddleback Cove / P.O. Box 1088
Travelers Rest, SC 29690

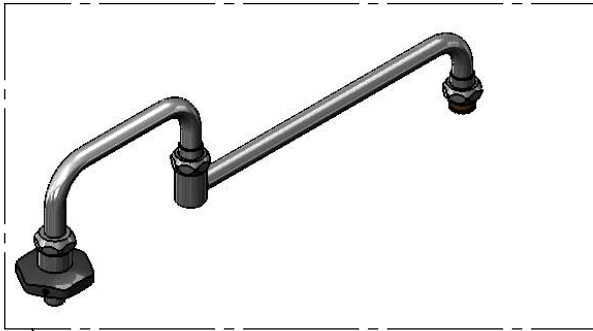
Model No.

B-0592-LF20

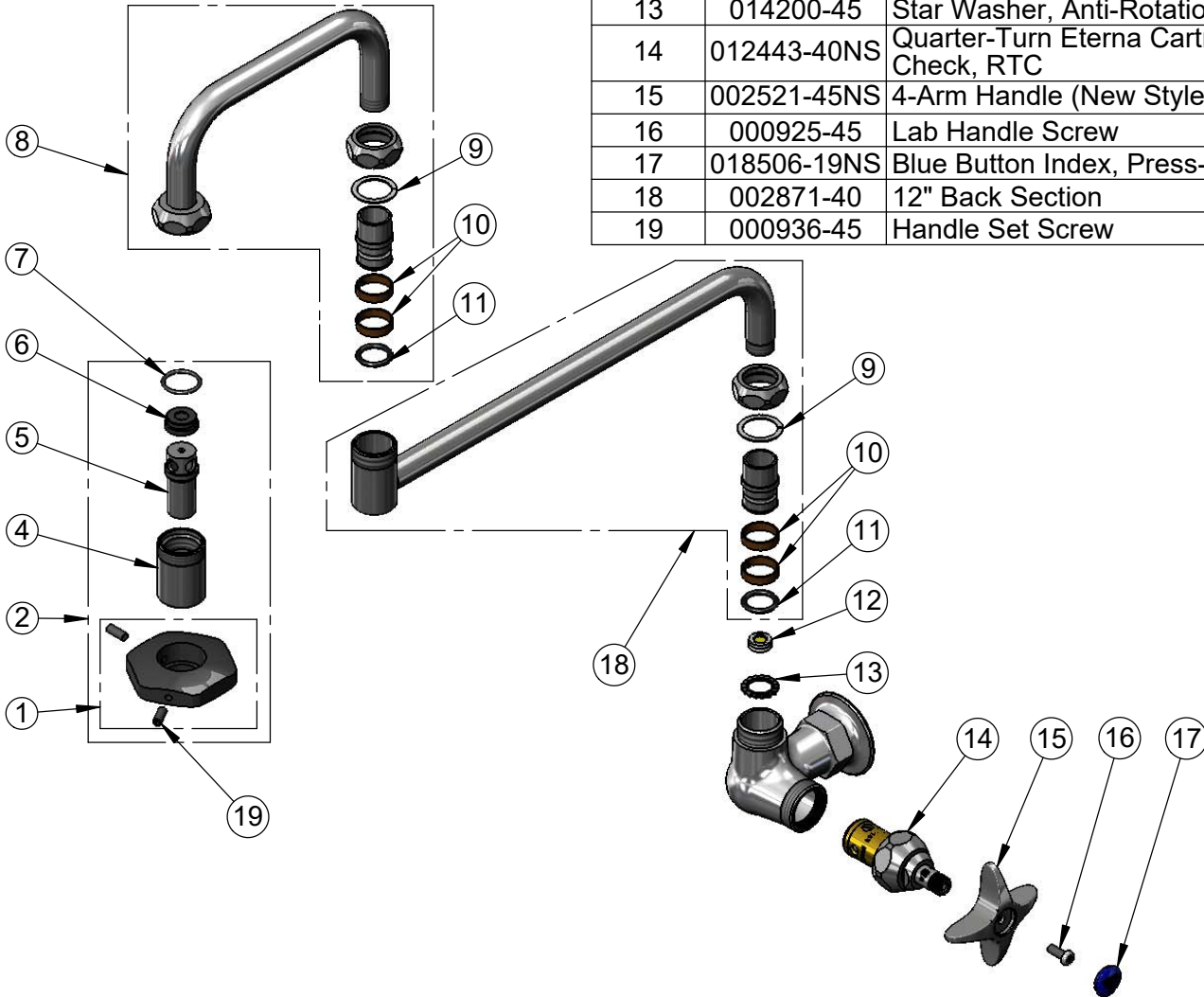
Item No.

Travelers Rest, SC: 800-476-4103 • Simi Valley, CA: 800-423-0150 • Fax: 864-834-3518 • www.tsbrass.com

ITEM NO.	SALES NO.	DESCRIPTION
1	002848-40	18" Double Joint Swing Nozzle w/ Heat Resistant Handle
2	001126-20	Handle w/ (2) Set Screws
3	035A	Outlet
4	000587-25	Spout Body
5	001498-25	Spout
6	001089-45	Seal
7	003426-45	O-Ring
8	002870-40	6" Front Section
9	009538-45	Swivel Washer
10	011429-45	Swivel Sleeves (2)
11	001074-45	O-Ring
12	FD22	Flow Disc, 2.2 GPM [8.3 L/min.] - Yellow
13	014200-45	Star Washer, Anti-Rotation
14	012443-40NS	Quarter-Turn Eterna Cartridge w/ Spring Check, RTC
15	002521-45NS	4-Arm Handle (New Style)
16	000925-45	Lab Handle Screw
17	018506-19NS	Blue Button Index, Press-in
18	002871-40	12" Back Section
19	000936-45	Handle Set Screw



① Additional View For Bill of Material Clarification w/o Faucet



Product Specifications:

Pot Filler Faucet, Quarter-Turn Eterna Cartridge w/ Spring Check, 4-Arm Handle, 18" Double Joint Swing Nozzle w/ Heat Resistant Handle & 2.2 GPM Flow Control Swivel Piece & 1/2" NPT Female Inlet

Product Compliance:

ASME A112.18.1 / CSA B125.1
NSF 61 - Section 9
NSF 372 (Low Lead Content)