



# T&S BRASS AND BRONZE WORKS, INC.

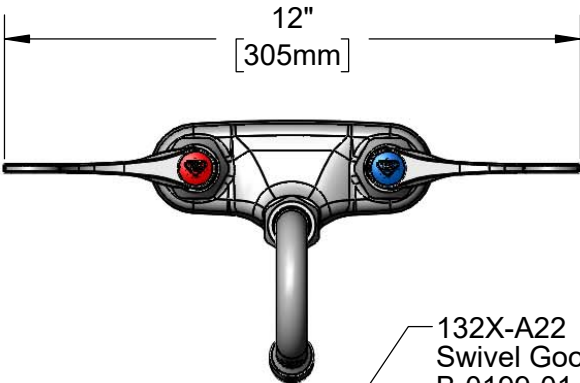
2 Saddleback Cove / P.O. Box 1088  
Travelers Rest, SC 29690

Model No.

**B-0892-KIT**

Item No.

Travelers Rest, SC: 800-476-4103 • Simi Valley, CA: 800-423-0150 • Fax: 864-834-3518 • www.tsbrass.com



ADA Compliant

This Space for Architect/Engineer Approval

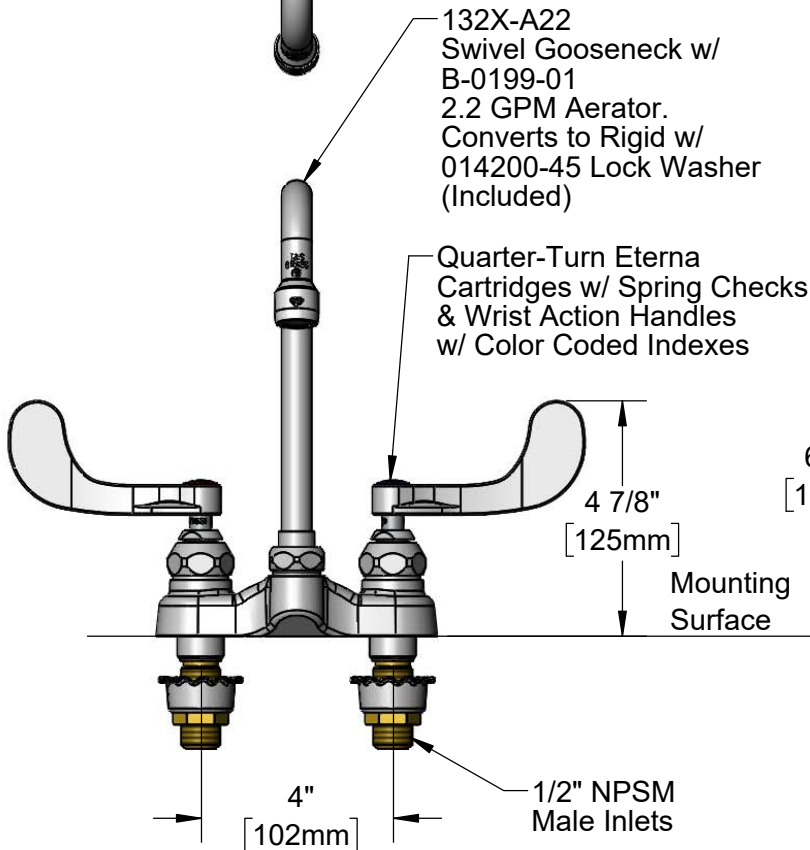
Job Name \_\_\_\_\_ Date \_\_\_\_\_

Model Specified \_\_\_\_\_ Quantity \_\_\_\_\_

Customer/Wholesaler \_\_\_\_\_

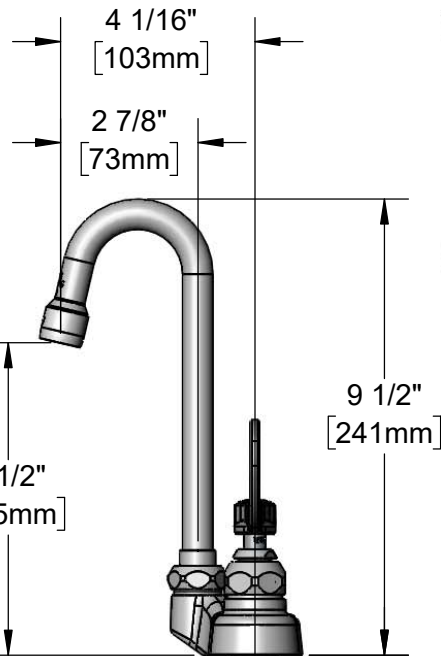
Contractor \_\_\_\_\_

Architect/Engineer \_\_\_\_\_



132X-A22 Swivel Gooseneck w/ B-0199-01 2.2 GPM Aerator. Converts to Rigid w/ 014200-45 Lock Washer (Included)

Quarter-Turn Eterna Cartridges w/ Spring Checks & Wrist Action Handles w/ Color Coded Indexes



13/16" [21mm] Maximum Thickness

B-1100-KIT 24" Flexible Stainless Steel Supply Hoses

9/16"-24 UN Female (3/8" Compression)

Rough-In Requirement:  
(2)  $\phi$  1 1/8" [29mm] Mounting Holes

### Product Specifications:

4" Centerset Deck Mount Mixing Faucet, Quarter-Turn Eterna Cartridges w/ Spring Checks, 4" Wrist Action Handles, 2 7/8" Swivel Gooseneck, 2.2 GPM Aerator & 1/2" NPSM Male Inlets, 24" Flexible Stainless Steel Hoses w/ Swivel Fittings & Integral Washers

### Product Compliance:

ASME A112.18.1 / CSA B125.1  
NSF 61 - Section 9  
NSF 372 (Low Lead Content)  
ANSI A117.1 (ADA)



# T&S BRASS AND BRONZE WORKS, INC.

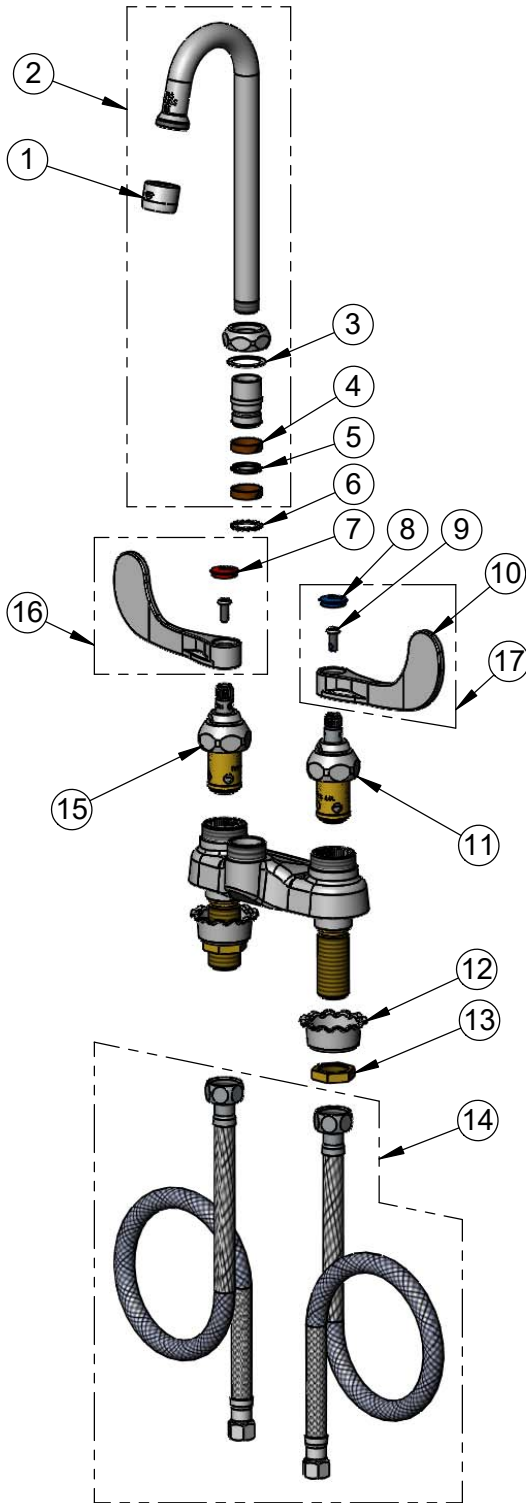
2 Saddleback Cove / P.O. Box 1088  
Travelers Rest, SC 29690

Model No.

**B-0892-KIT**

Item No.

Travelers Rest, SC: 800-476-4103 • Simi Valley, CA: 800-423-0150 • Fax: 864-834-3518 • www.tsbrass.com



ITEM NO.	SALES NO.	DESCRIPTION
1	B-0199-01	2.2 GPM Aerator, 55/64-27 UN Female
2	132X-A22	2 7/8" Swivel Gooseneck w/ 2.2 GPM Aerator
3	009538-45	Swivel Washer
4	011429-45	Swivel Sleeves (2)
5	001074-45	O-Ring
6	014200-45	Star Washer, Anti-Rotation
7	001193-19NS	Red Button Index, Press-in
8	018506-19NS	Blue Button Index, Press-in
9	000925-45	Lab Handle Screw
10	B-WH4-NS	Wrist Action Handle - New Style
11	012442-40NS	Quarter-Turn Eterna Cartridge w/ Spring Check, LTC
12	001000-45	Rosette Washer
13	002954-45	Shank Lock Nut
14	B-1100-KIT	24" Flexible Stainless Steel Supply Hoses w/ Swivel Fittings & Integral Washers
15	012443-40NS	Quarter-Turn Eterna Cartridge w/ Spring Check, RTC
16	B-WH4H-NS	4" Wrist-Action Handle, Screw & Red Index
17	B-WH4C-NS	4" Wrist Action Handle, Screw & Blue Index

**Product Specifications:**

4" Centerset Deck Mount Mixing Faucet, Quarter-Turn Eterna Cartridges w/ Spring Checks, 4" Wrist Action Handles, 2 7/8" Swivel Gooseneck, 2.2 GPM Aerator & 1/2" NPSM Male Inlets, 24" Flexible Stainless Steel Hoses w/ Swivel Fittings & Integral Washers

**Product Compliance:**

ASME A112.18.1 / CSA B125.1  
NSF 61 - Section 9  
NSF 372 (Low Lead Content)  
ANSI A117.1 (ADA)