



T&S BRASS AND BRONZE WORKS, INC.

2 Saddleback Cove / P.O. Box 1088
Travelers Rest, SC 29690

Model No.

BL-5710-07WH4

Item No.

Travelers Rest, SC: 800-476-4103 • Simi Valley, CA: 800-423-0150 • Fax: 864-834-3518 • www.tsbrass.com

This Space for Architect/Engineer Approval

Job Name _____ Date _____

Model Specified _____ Quantity _____

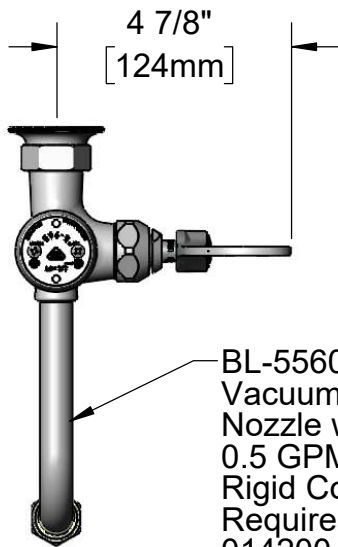
Customer/Wholesaler _____

Contractor _____

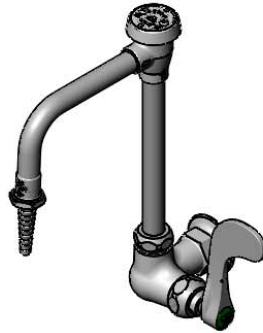
Architect/Engineer _____



ADA Compliant

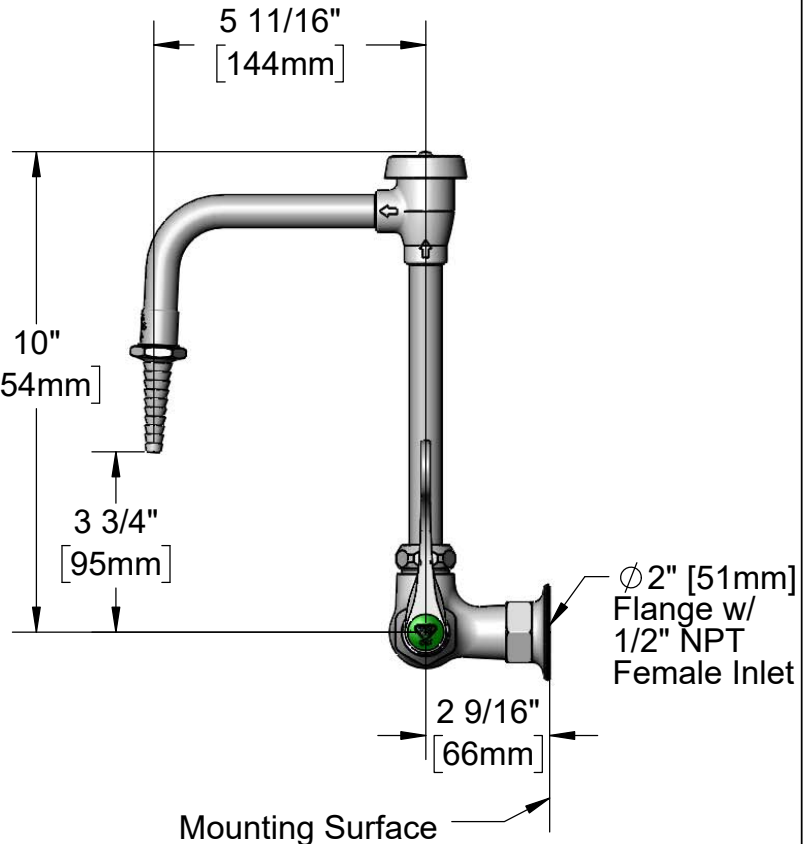
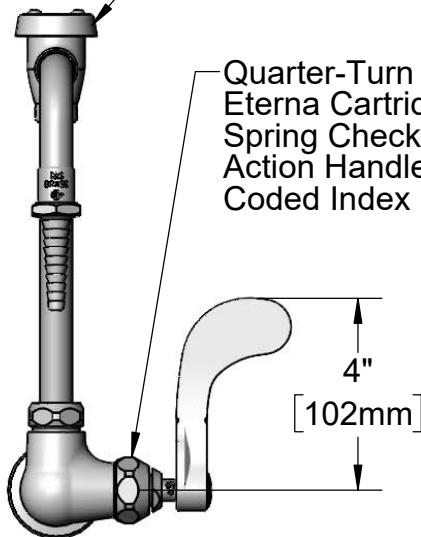


BL-5560-03
Vacuum Breaker Swivel
Nozzle w/ Serrated Tip &
0.5 GPM Flow Control.
Rigid Conversion
Requires
014200-45 Lock Washer
(Included)



B-0968
3/8" NPT
Vacuum Breaker

Quarter-Turn
Eterna Cartridge w/
Spring Check w/ 4" Wrist
Action Handle & Color
Coded Index



Product Specifications:

Single Temperature Lab Faucet w/ Vacuum Breaker Swivel Nozzle, Quarter-Turn Eterna Cartridge w/ Spring Check, Serrated Tip Outlet w/ 0.5 GPM Flow Control, 4" Wrist Action Handle & 1/2" NPT Female Inlet

Product Compliance:

ASME A112.18.1 / CSA B125.1
NSF 61 - Section 9
NSF 372 (Low Lead Content)
ANSI A117.1 (ADA)
ASSE 1001 (VB)



T&S BRASS AND BRONZE WORKS, INC.
 2 Saddleback Cove / P.O. Box 1088
 Travelers Rest, SC 29690

Model No.
BL-5710-07WH4

Item No.

Travelers Rest, SC: 800-476-4103 • Simi Valley, CA: 800-423-0150 • Fax: 864-834-3518 • www.tsbrass.com

ITEM NO.	SALES NO.	DESCRIPTION
1	BL-5560-03	Swivel Vacuum Breaker Nozzle w/ Serrated Tip & 0.5 GPM Flow Disc
2	B-0198-FD05	Serrated Tip w/ 0.5 GPM Flow Disc & Washer
3	001051-45	Washer
4	007283-40	Vacuum Breaker Nozzle Asm.
5	B-0968	3/8" NPT Vacuum Breaker
6	009538-45	Swivel Washer
7	006562-45	O-ring
8	014200-45	Star Washer, Anti-Rotation
9	012443-40NS	Quarter-Turn Eterna Cartridge w/ Spring Check, RTC
10	B-WH4-NS	Wrist Action Handle - New Style
11	000925-45	Lab Handle Screw
12	001191-45NS	Green "CW" Lab Button Index
13	FD05	Flow Disc, 0.5 GPM [1.9 L/min.] (Lime)

Product Specifications:
 Single Temperature Lab Faucet w/ Vacuum Breaker Swivel Nozzle, Quarter-Turn Eterna Cartridge w/ Spring Check, Serrated Tip Outlet w/ 0.5 GPM Flow Control, 4" Wrist Action Handle & 1/2" NPT Female Inlet

Product Compliance:
 ASME A112.18.1 / CSA B125.1
 NSF 61 - Section 9
 NSF 372 (Low Lead Content)
 ANSI A117.1 (ADA)
 ASSE 1001 (VB)