



Pre-Rinse Units

B-0142

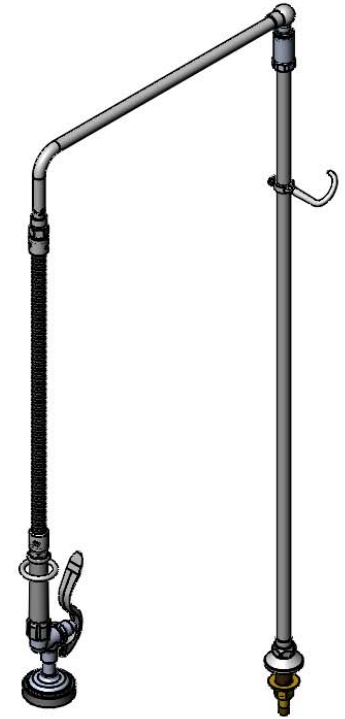
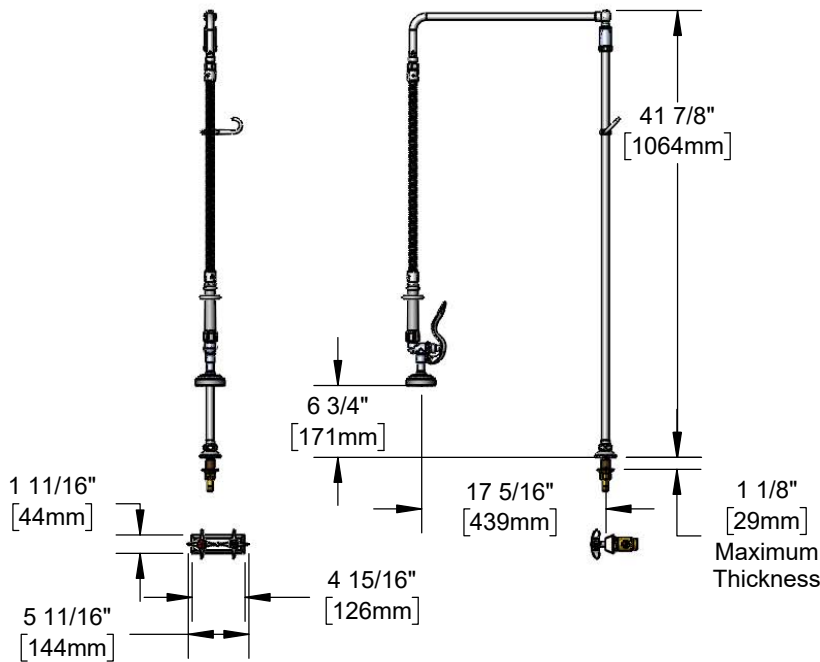
TAG:

Pre-Rinse Unit

Architect/Engineering Specifications:

Single hole deck mount dummy pre-rinse with 1/2" NPSM male inlet and remote control faucet with 3/8" NPT female inlets with polished chrome plated brass bodies, 38" riser, 18" swivel arm, 26" flexible stainless steel hose with heat resistant gray handle, 1.15 GPM spray valve, compression cartridges with spring checks and spray valve holder. Certified to ASME A112.18.1/CSA B125.1, NSF 61-Section 9 and NSF 372. 2019 DOE PRSV - Class II compliant.

Job Name _____
 Model Specified _____ Quantity _____
 Variations Specified _____
 Date _____



Features & Benefits:

- Single hole deck mount dummy pre-rinse and remote control faucet w/ polished chrome plated brass bodies
- EasyInstall riser for quick installation
- 18" swivel arm
- 26" flexible stainless steel hose w/ heat resistant gray handle
- 1.15 GPM spray valve
- Concealed mixing faucet w/ quarter-turn Eterna compression cartridges w/ spring checks
- 4-arm handles w/ color coded indexes
- Piping provided by others
- 1/2" NPSM shank w/ tailpiece and nut for 1/4" NPT connections
- Material: Polished chrome plated brass bodies, riser & spray valve body, stainless steel hose, and chrome plated metal handles

Product Compliance:

- ASME A112.18.1 / CSA B125.1
- NSF 61 - Section 9
- NSF 372 (Low Lead Content)
- 2019 DOE PRSV - Class II

Warranty: One Year (Limited)

Performance Data:

- Pressure: 20 - 125 psi [1.38 - 8.62 bar]
- Temperature: 40 °F - 140 °F [4.44 °C - 60 °C]
- Flow Rate: 1.15 GPM [4.35 L/min] @ 60 psi [4.14 bar]

Optional Pre-Rinse Spray Valves

- B-0107 (1.15 GPM) (Standard)
- B-0107-C (0.65 GPM)
- B-0107-J (1.07 GPM)
- B-0108 (1.07 GPM)
- B-0108-C (0.65 GPM)



T&S BRASS AND BRONZE WORKS, INC.



• 2 Saddleback Cove • Travelers Rest, SC 29690
 Ph 800-476-4103 • Fax 864-834-3518
 • Simi Valley, CA • Ph 800-423-0150 • www.tsbrass.com

Date: 07/20/21