



T&S BRASS AND BRONZE WORKS, INC.

2 Saddleback Cove / P.O. Box 1088
Travelers Rest, SC 29690

Model No.

PB-8WSAV12PZJZ

Item No.

Travelers Rest, SC: 800-476-4103 • Simi Valley, CA: 800-423-0150 • Fax: 864-834-3518 • www.tsbrass.com

This Space for Architect/Engineer Approval

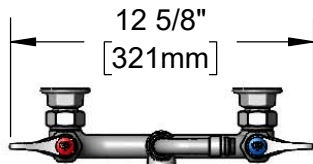
Job Name _____ Date _____

Model Specified _____ Quantity _____

Customer/Wholesaler _____

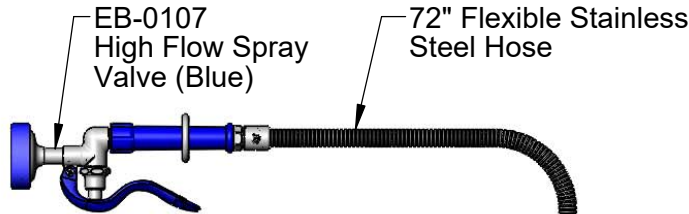
Contractor _____

Architect/Engineer _____



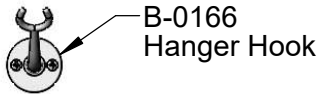
12 5/8"
[321mm]

062X
12" Swing Nozzle
w/ Stream
Regulator Outlet



EB-0107
High Flow Spray
Valve (Blue)

72" Flexible Stainless
Steel Hose



B-0166
Hanger Hook

Items Not Shown
for Clarity

B-0970-FE
3/8" NPT
Vacuum Breaker

EasyInstall
Lock Nut
& Bushing

90° Swivel
Adapter

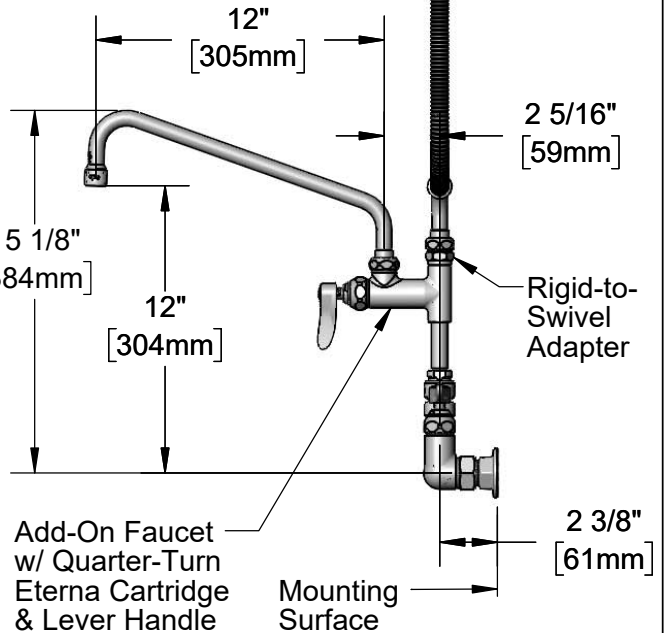
Quarter-Turn
Eterna Cartridges
w/ Spring Checks &
Lever Handles w/
Color Coded Indexes

3 11/16"
[94mm]

8"
[203mm]
Adjustable From
7 3/4" to 8 1/4"
[197mm to 210mm]

Ø 2" [51mm]
Flanges w/
1/2" NPT
Female Inlets

11 15/16"
[303mm]



12"
[305mm]

15 1/8"
[384mm]

12"
[304mm]

2 5/16"
[59mm]

Rigid-to-
Swivel
Adapter

Add-On Faucet
w/ Quarter-Turn
Eterna Cartridge
& Lever Handle

Mounting
Surface

2 3/8"
[61mm]

Product Specifications:

8" Wall Mount Mixing Faucet, Quarter-Turn Eterna Cartridges w/ Spring Checks, Lever Handles, Add-On Faucet, 12" Swing Nozzle, Vacuum Breaker, High Flow Spray Valve (Blue), 72" Flexible Stainless Steel Hose, Wall Hook & 1/2" NPT Female Inlets

Product Compliance:

ASME A112.18.1 / CSA B125.1
NSF 61 Exempt (Non-Potable)
CSA B64.8 (VB)
2019 DOE PRSV Non-Compliant



T&S BRASS AND BRONZE WORKS, INC.

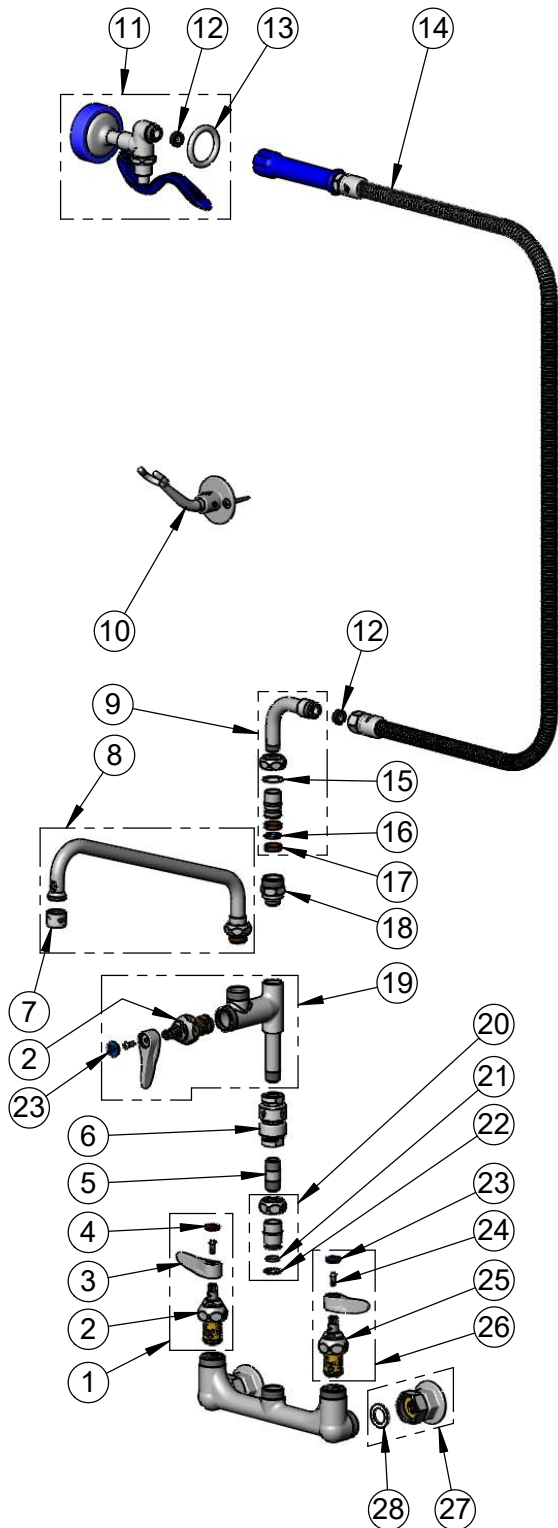
2 Saddleback Cove / P.O. Box 1088
Travelers Rest, SC 29690

Model No.

PB-8WSAV12PZJZ

Item No.

Travelers Rest, SC: 800-476-4103 • Simi Valley, CA: 800-423-0150 • Fax: 864-834-3518 • www.tsbrass.com



ITEM NO.	SALES NO.	DESCRIPTION
1	002712-40NS	Quarter-Turn Eterna Cartridge w/ Spring Check, Handle, Red Index & Screw, RTC
2	012443-40NS	Quarter-Turn Eterna Cartridge w/ Spring Check, RTC
3	001638-45NS	Lever Handle (New Style)
4	001193-19NS	Red Button Index, Press-in
5	002341-40	Nipple, 3/8" NPT x 1 1/2"
6	B-0970-FE	3/8" NPT Vacuum Breaker
7	B-PT	Full Flow Stream Regulator, 55/64-27
8	062X	12" Swing Nozzle
9	034A	90° Swivel Adapter
10	B-0166	Wall Hook
11	EB-0107	High Flow Spray Valve (Blue)
12	010476-45	#27 Washer
13	000907-45	Spray Valve Hold Down Ring
14	EB-0072-H	72" Flexible Stainless Steel Hose w/ Blue Grip Handle
15	009538-45	Swivel Washer
16	001074-45	O-Ring
17	011429-45	Swivel Sleeves (2)
18	B-0412	Rigid to Swivel Adapter
19	B-0155-LN	Add-On Faucet
20	EZ-K	EasyInstall Kit
21	001065-45	O-Ring
22	014200-45	Star Washer, Anti-Rotation
23	018506-19NS	Blue Button Index, Press-in
24	000925-45	Lab Handle Screw
25	012442-40NS	Quarter-Turn Eterna Cartridge w/ Spring Check, LTC
26	002711-40NS	Quarter-Turn Eterna Cartridge w/ Spring Check, Handle, Blue Index & Screw, LTC
27	00AA	1/2" NPT Female Eccentric Flange
28	001019-45	Coupling Nut Washer

Product Specifications:

8" Wall Mount Mixing Faucet, Quarter-Turn Eterna Cartridges w/ Spring Checks, Lever Handles, Add-On Faucet, 12" Swing Nozzle, Vacuum Breaker, High Flow Spray Valve (Blue), 72" Flexible Stainless Steel Hose, Wall Hook & 1/2" NPT Female Inlets

Product Compliance:

ASME A112.18.1 / CSA B125.1
NSF 61 Exempt (Non-Potable)
CSA B64.8 (VB)
2019 DOE PRSV Non-Compliant