



# T&S BRASS AND BRONZE WORKS, INC.

2 Saddleback Cove / P.O. Box 1088  
Travelers Rest, SC 29690

Model No.

**B-0206-02-CR**

Item No.

Travelers Rest, SC: 800-476-4103 • Simi Valley, CA: 800-423-0150 • Fax: 864-834-3518 • www.tsbrass.com



**ADA Compliant**

This Space for Architect/Engineer Approval

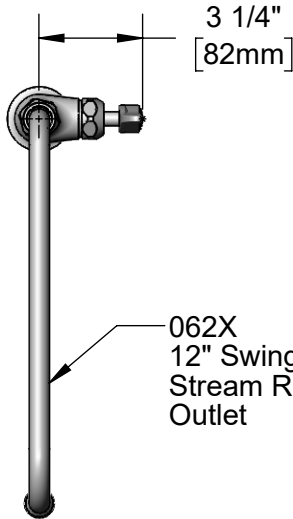
Job Name \_\_\_\_\_ Date \_\_\_\_\_

Model Specified \_\_\_\_\_ Quantity \_\_\_\_\_

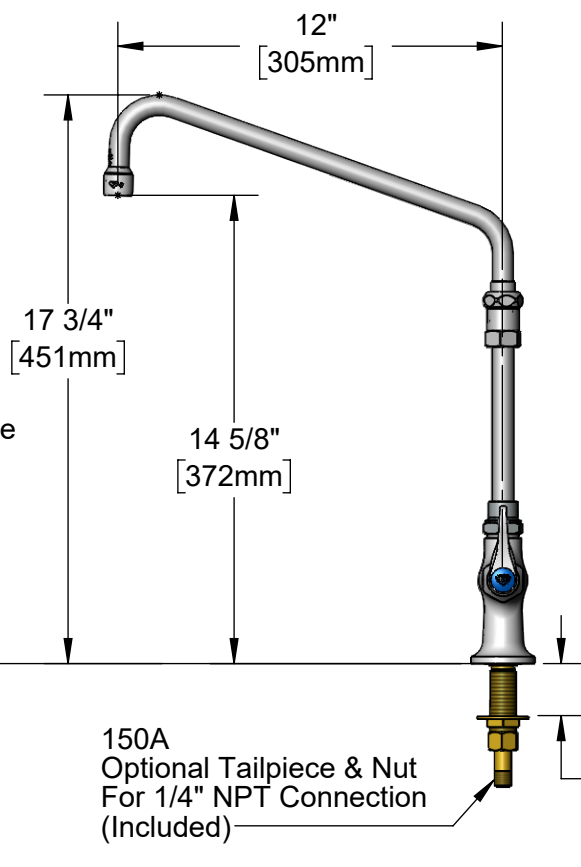
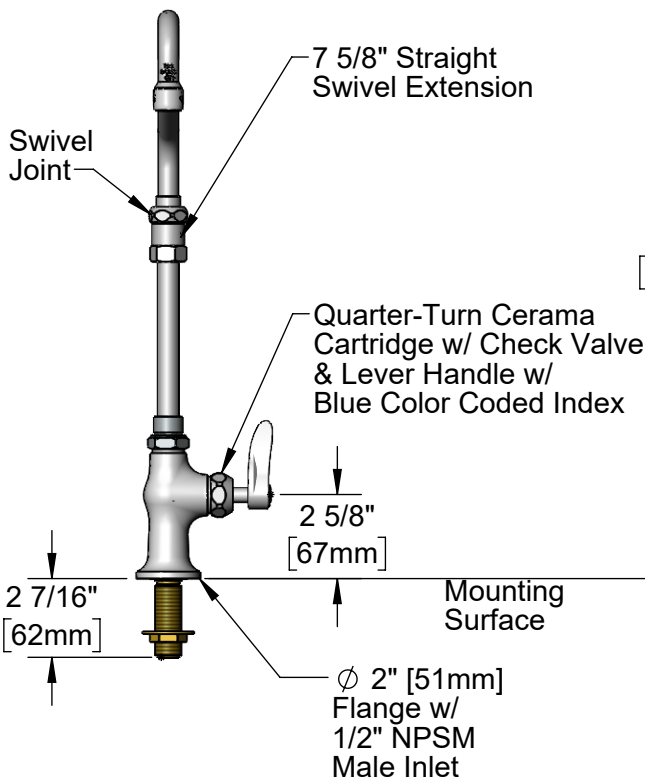
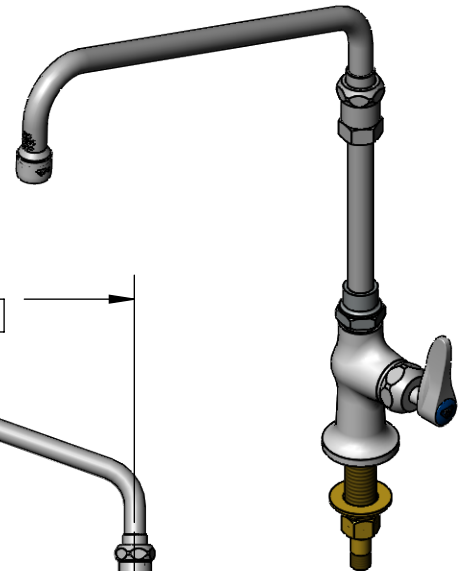
Customer/Wholesaler \_\_\_\_\_

Contractor \_\_\_\_\_

Architect/Engineer \_\_\_\_\_



062X  
12" Swing Nozzle w/  
Stream Regulator  
Outlet



150A  
Optional Tailpiece & Nut  
For 1/4" NPT Connection  
(Included)

1 5/8"  
[41mm]  
Maximum  
Thickness

Rough-In Requirement:  
Ø 1" [25mm] Mounting Hole

Product Specifications:  
Single Hole Single Temperature Deck Mount Faucet, Quarter-Turn Cerama Cartridge w/ Check Valve, Lever Handle, 12" Swing Nozzle, 7 5/8" Swivel Extension & 1/2" NPSM Male Inlet

Product Compliance:  
ASME A112.18.1 / CSA B125.1  
NSF 61 - Section 9  
NSF 372 (Low Lead Content)  
ANSI A117.1 (ADA)



# T&S BRASS AND BRONZE WORKS, INC.

2 Saddleback Cove / P.O. Box 1088  
Travelers Rest, SC 29690

Model No.

**B-0206-02-CR**

Item No.

Travelers Rest, SC: 800-476-4103 • Simi Valley, CA: 800-423-0150 • Fax: 864-834-3518 • www.tsbrass.com

| ITEM NO. | SALES NO.   | DESCRIPTION   |
|----------|-------------|---|
| 1        | B-PT        | Stream Regulator Inlet  |
| 2        | 062X        | 12" Swing Nozzle  |
| 3        | 009538-45   | Swivel Washer   |
| 4        | 011429-45   | Swivel Sleeves (2)  |
| 5        | 001074-45   | O-Ring  |
| 6        | B-1912-10   | 7 5/8" Straight Swivel Extension                                    |
| 7        | 001049-45   | Washer  |
| 8        | 019641-25   | Quarter-Turn Cerama Cartridge RTC w/ CV, Handle, Blue Index & Screw |
| 9        | 012394-25NS | Quarter-Turn Cerama Cartridge w/ Check Valve, RTC                   |
| 10       | 001638-45NS | Lever Handle (New Style)  |
| 11       | 000925-45   | Lab Handle Screw  |
| 12       | 018506-19NS | Blue Button Index, Press-in   |
| 13       | 000999-45   | Brass Lock Washer   |
| 14       | 002954-45   | Shank Lock Nut  |
| 15       | 150A        | 1/4" NPT Tailpiece & Nut  |

**Product Specifications:**  
Single Hole Single Temperature Deck Mount Faucet, Quarter-Turn Cerama Cartridge w/ Check Valve, Lever Handle, 12" Swing Nozzle, 7 5/8" Swivel Extension & 1/2" NPSM Male Inlet

**Product Compliance:**  
ASME A112.18.1 / CSA B125.1  
NSF 61 - Section 9  
NSF 372 (Low Lead Content)  
ANSI A117.1 (ADA)