



T&S BRASS AND BRONZE WORKS, INC.
 2 Saddleback Cove / P.O. Box 1088
 Travelers Rest, SC 29690

Model No.
B-2360-01-WFK

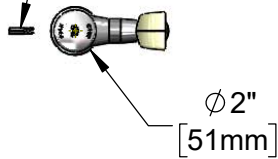
Item No.

Travelers Rest, SC: 800-476-4103 • Simi Valley, CA: 800-423-0150 • Fax: 864-834-3518 • www.tsbrass.com



ADA Compliant

Furnished w/ Spanner Bit for Access to Metering Adjustment (Metering Adjustment Requires 3/32" Hex Key)



This Space for Architect/Engineer Approval

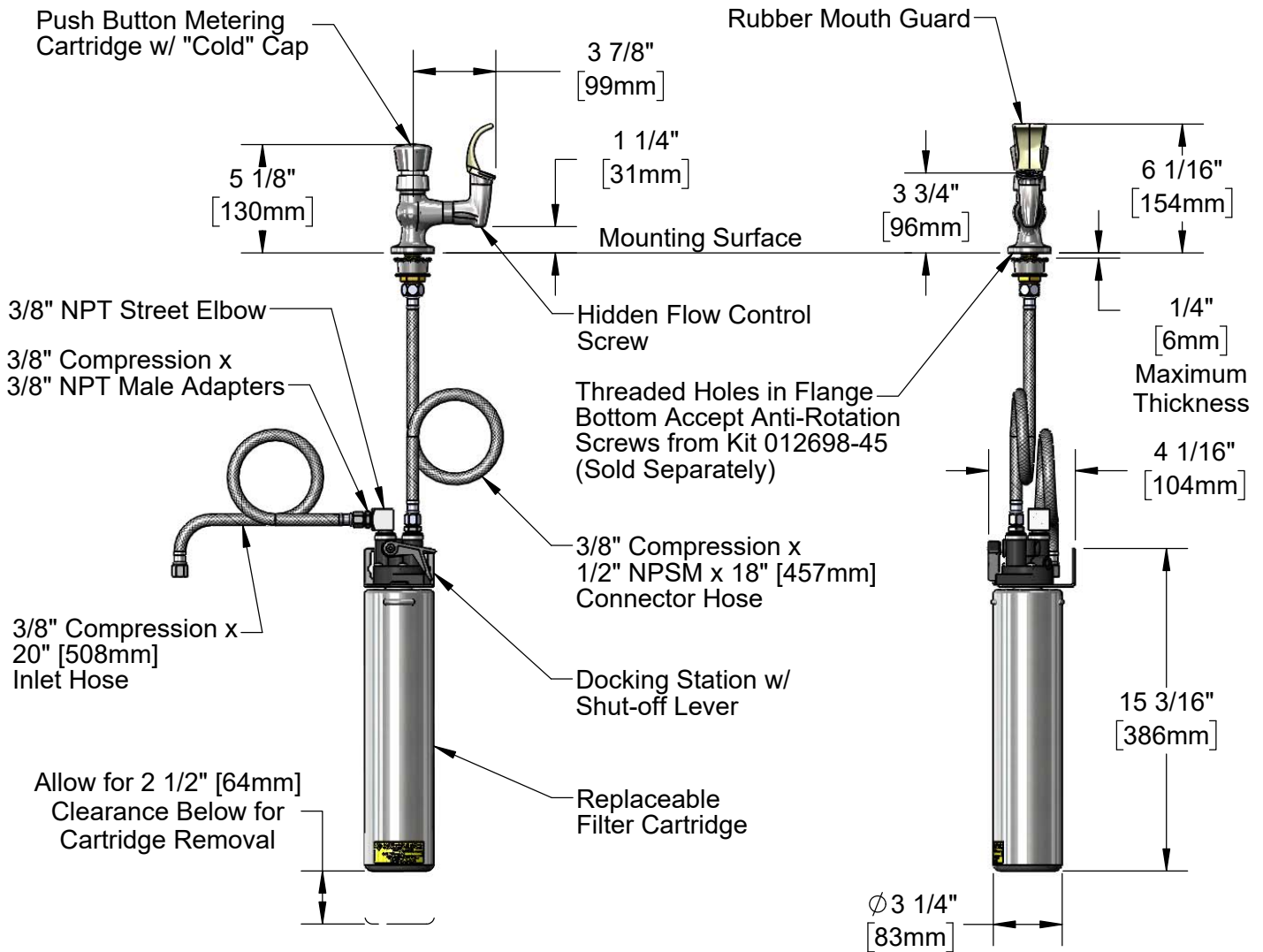
Job Name _____ Date _____

Model Specified _____ Quantity _____

Customer/Wholesaler _____

Contractor _____

Architect/Engineer _____



Rough-In Requirement:
 $\phi 1"$ [25mm] Mounting Hole

Product Specifications:
 Push Button Metering Bubbler w/ Water Filtration Kit

Product Compliance:
 ASME A112.18.1 / CSA B125.1
 NSF 61 - Section 9
 NSF 372 (Low Lead Content)
 ANSI A117.1 (ADA)



T&S BRASS AND BRONZE WORKS, INC.

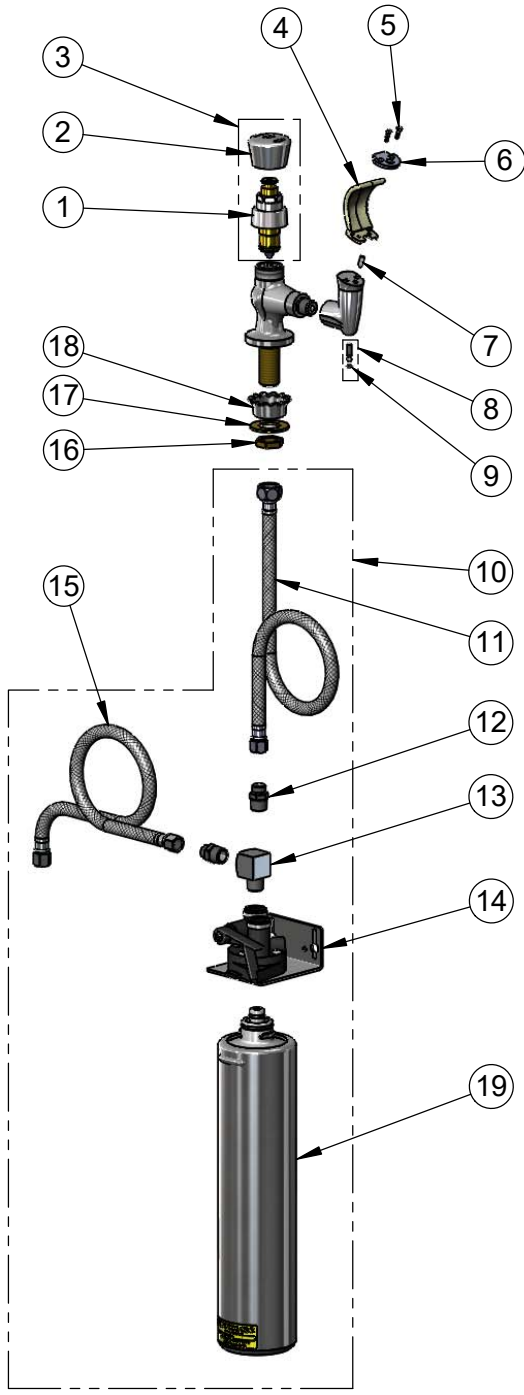
2 Saddleback Cove / P.O. Box 1088
Travelers Rest, SC 29690

Model No.

B-2360-01-WFK

Item No.

Travelers Rest, SC: 800-476-4103 • Simi Valley, CA: 800-423-0150 • Fax: 864-834-3518 • www.tsbrass.com



ITEM NO.	SALES NO.	DESCRIPTION
1	238A	Push Button Metering Cartridge
2	014195-40	Cold Push Button Cap w/ Spanner Bit
3	238AC	Metering Cartridge w/ Cold Push Button Cap & Spanner Bit
4	009595-45	Rubber Mouth Guard
5	009598-45	Mouth Guard Screw
6	009596-40	Mouth Guard Holder
7	009594-45	Flow Straightener
8	012697-45	Flow Control Screw
9	015319-45	O-Ring
10	B-WFK	Water Filtration Kit
11	5EF-0005	Supply Hose, 9/16-24 Female x 1/2" NPSM
12	006101-45	Adapter, 3/8" NPT x 9/16"-24 UN Male
13	148X	3/8 Street Elbow
14	B-WFDS	Water Filtration Docking Station
15	013146-45	Supply Hose, 9/16-24 Fem (3/8" Comp)
16	002954-45	Shank Lock Nut
17	000999-45	Brass Lock Washer
18	001000-45	Rosette Washer
19	B-WFC	Filter Cartridge



014075-45
#10 Spanner Bit
for VR Screw

Product Specifications:
Push Button Metering Bubbler w/ Water Filtration Kit

Product Compliance:
ASME A112.18.1 / CSA B125.1
NSF 61 - Section 9
NSF 372 (Low Lead Content)
ANSI A117.1 (ADA)