



Architect/Engineering Specifications:

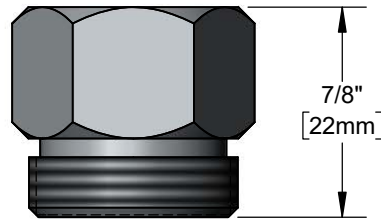
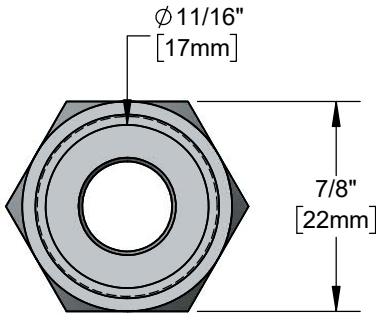
Polished chrome hex nut, 3/4-14 UN female thread inlet and 7/8-20 UN male thread outlet. Certified to NSF 61-Section 9 and NSF 372.

Job Name _____

Model Specified _____ Quantity _____

Variations Specified _____

Date _____



Features & Benefits:

- Hex nut
- 3/4-14 UN female thread inlet
- 7/8-20 UN male thread outlet
- Material: Polished chrome plated brass

Product Compliance:

- NSF 61 - Section 9
- NSF 372 (Low Lead Content)



Warranty: One Year (Limited)

Performance Data:

- N/A

