



Architect/Engineering Specifications:

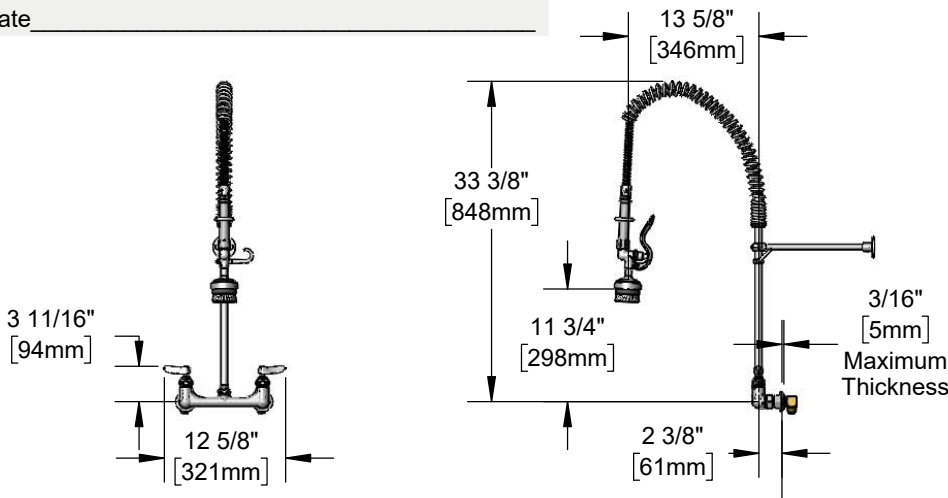
8" wall mount mixing faucet with polished chrome plated brass body, 18" riser, 36" flexible stainless steel hose with heat resistant handle, 1.15 GPM spray valve with brush attachment, compression cartridges with spring checks, lever handles, installation kit with 1/2" NPT male inlets, (2) 36" flexible stainless steel supply hoses, (2) 1/2" NPT female inlet supply stops, 12" adjustable wall bracket, spray valve holder and overhead spring. Certified to ASME A112.18.1/CSA B125.1, NSF 61-Section 9 and NSF 372. 2019 DOE PRSV - Class II compliant.

Job Name _____

Model Specified _____ Quantity _____

Variations Specified _____

Date _____



Features & Benefits:

- 8" wall mount mixing faucet w/ polished chrome plated brass body
- EasyInstall 18" riser for quick installation
- 36" flexible stainless steel hose with heat resistant gray handle and hold down ring
- 1.15 GPM spray valve w/ brush attachment
- Quarter-turn Eterna compression cartridges with spring checks to prevent cross flow of water
- Lever handles w/ color coded indexes
- 1/2" NPT female eccentric inlets with Ø 2" flanges
- Adjustable centers from 7 3/4" to 8 1/4"
- (2) 36" flexible stainless steel supply hoses w/ 1/2" NPT male x 1/2" NPSM female connectors
- (2) 1/2" NPT female inlet supply stops
- Material: Polished chrome plated brass body, tubular spout, add-on faucet body, riser, inlet supply stop bodies & spray valve body, stainless steel hoses and chrome plated metal handles

Product Compliance:

- ASME A112.18.1 / CSA B125.1
- NSF 61 - Section 9
- NSF 372 (Low Lead Content)
- 2019 DOE PRSV - Class II



Warranty: Three Year (Limited)



Performance Data:

- Pressure: 20 - 125 psi [1.38 - 8.62 bar]
- Temperature: 40 °F - 140 °F [4.44 °C - 60 °C]
- Flow Rate: 1.15 GPM [4.35 L/min] @ 60 psi [4.14 bar]

Optional Cartridges With Checks

- Quarter-Turn Cerama w/ Check Valve
- Quarter-Turn Eterna w/ Spring Check (Standard)

Optional Pre-Rinse Spray Valves

- B-0107 (1.15 GPM)(Standard)
- B-0107-C (0.65 GPM)
- B-0107-J (1.07 GPM)
- B-0108 (1.07 GPM)
- B-0108-C (0.65 GPM)

Optional Handles

- 4" Wrist Action
- Lever (Standard)
- 4-Arm

