



# T&S BRASS AND BRONZE WORKS, INC.

2 Saddleback Cove / P.O. Box 1088  
Travelers Rest, SC 29690

Model No.

**B-0673-POL**

Item No.

Travelers Rest, SC: 800-476-4103 • Simi Valley, CA: 800-423-0150 • Fax: 864-834-3518 • www.tsbrass.com



**ADA Compliant**

This Space for Architect/Engineer Approval

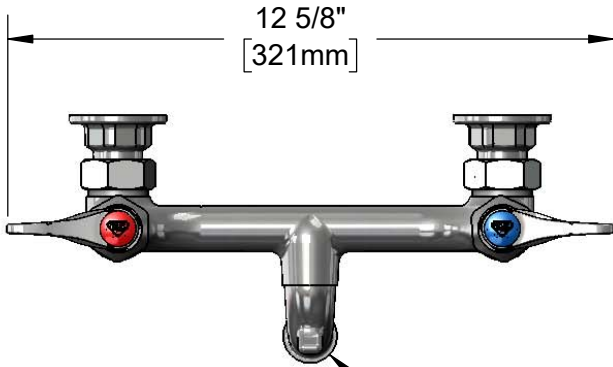
Job Name \_\_\_\_\_ Date \_\_\_\_\_

Model Specified \_\_\_\_\_ Quantity \_\_\_\_\_

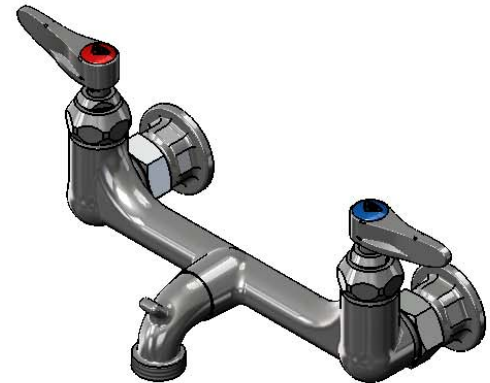
Customer/Wholesaler \_\_\_\_\_

Contractor \_\_\_\_\_

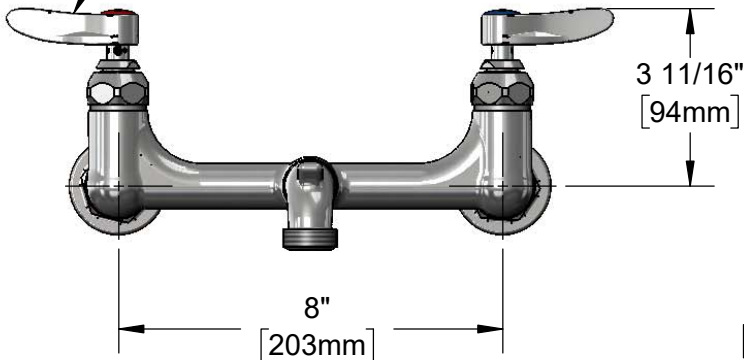
Architect/Engineer \_\_\_\_\_



Spout w/ Pail Hook  
& Garden Hose  
Male Outlet

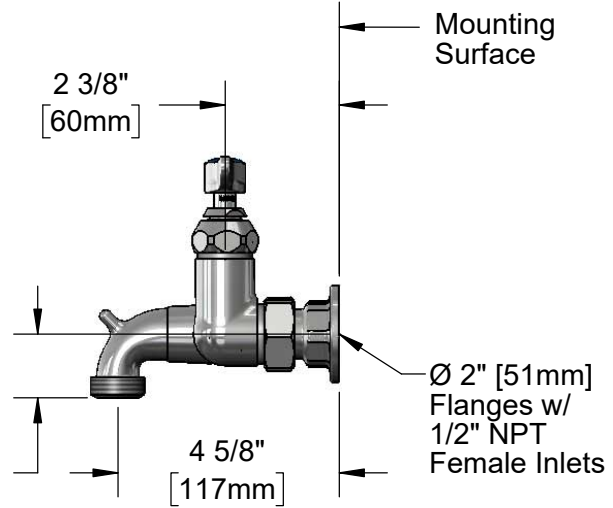


Quarter-Turn  
Eterna Cartridges w/  
Spring Checks &  
Lever Handles w/  
Color Coded Indexes



Adjustable From  
7 3/4" to 8 1/4"  
[197mm to 210mm]

1 5/16"  
[34mm]



**Product Specifications:**

8" Wall Mount Polished Chrome Service Sink Mixing Faucet, Quarter-Turn Eterna Cartridges w/ Spring Checks, Garden Hose Male Outlet, Spout w/ Pail Hook & 1/2" Female Inlets

**Product Compliance:**

ASME A112.18.1 / CSA B125.1  
NSF 61 - Section 9  
NSF 372 (Low Lead Content)  
ANSI A117.1 (ADA)



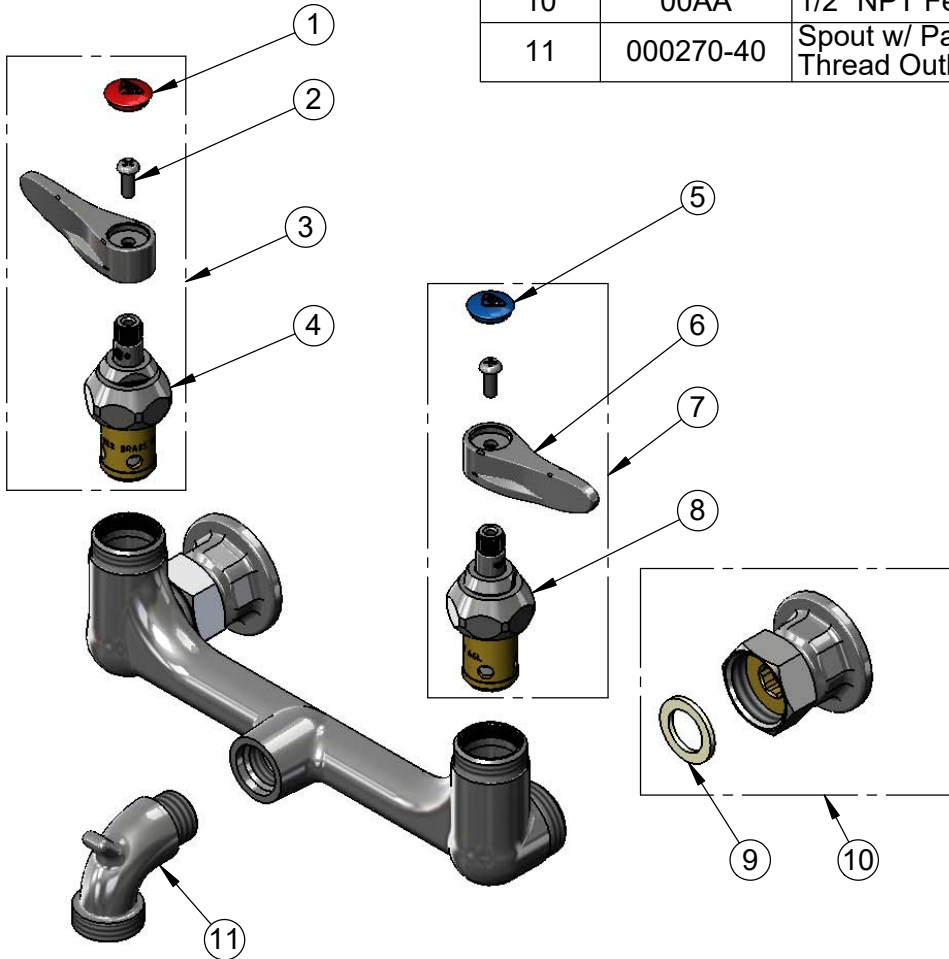
**T&S BRASS AND BRONZE WORKS, INC.**  
 2 Saddleback Cove / P.O. Box 1088  
 Travelers Rest, SC 29690

Model No.  
**B-0673-POL**

Item No.

Travelers Rest, SC: 800-476-4103 • Simi Valley, CA: 800-423-0150 • Fax: 864-834-3518 • www.tsbrass.com

ITEM NO.	SALES NO.	DESCRIPTION
1	001193-19NS	Red Button Index, Press-in
2	000925-45	Lab Handle Screw
3	002712-40	Quarter-Turn Eterna Cartridge, RTC w/ Spring Check, Handle, Index & Screw
4	012443-40	Quarter-Turn Eterna Cartridge, RTC w/ Spring Check
5	018506-19NS	Blue Button Index, Press-in
6	001638-45NS	Lever Handle (New Style)
7	002711-40	Quarter-Turn Eterna Cartridge, LTC w/ Spring Check, Handle, Index & Screw
8	012442-40	Quarter-Turn Eterna Cartridge, LTC w/ Spring Check
9	001019-45	Coupling Nut Washer
10	00AA	1/2" NPT Female Eccentric Flange
11	000270-40	Spout w/ Pail Hook & 3/4" Garden Hose Thread Outlet, Polished Chrome



**Product Specifications:**  
 8" Wall Mount Polished Chrome Service Sink Mixing Faucet, Quarter-Turn Eterna Cartridges w/ Spring Checks, Garden Hose Male Outlet, Spout w/ Pail Hook & 1/2" Female Inlets

**Product Compliance:**  
 ASME A112.18.1 / CSA B125.1  
 NSF 61 - Section 9  
 NSF 372 (Low Lead Content)  
 ANSI A117.1 (ADA)