



T&S BRASS AND BRONZE WORKS, INC.
 2 Saddleback Cove / P.O. Box 1088
 Travelers Rest, SC 29690

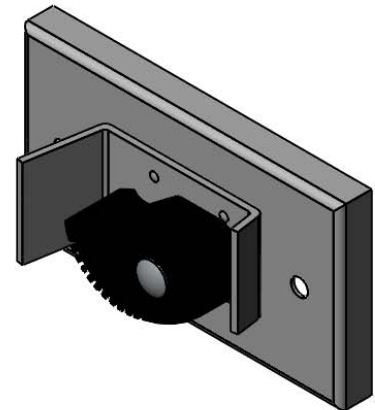
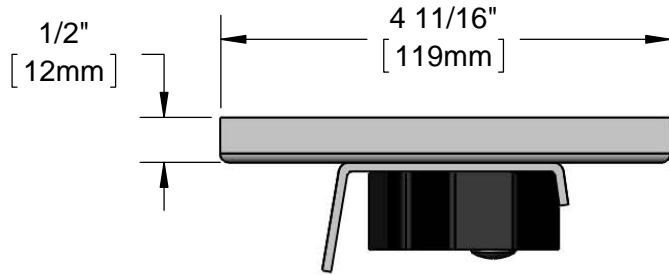
Model No.
B-0654

Item No.

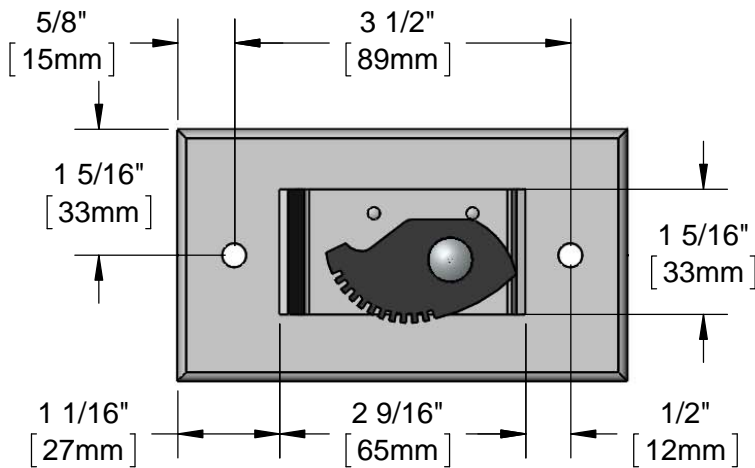
Travelers Rest, SC: 800-476-4103 • Simi Valley, CA: 800-423-0150 • Fax: 864-834-3518 • www.tsbrass.com

This Space for Architect/Engineer Approval

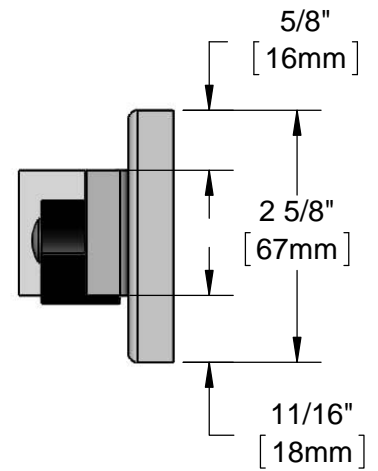
Job Name _____ Date _____
 Model Specified _____ Quantity _____
 Customer/Wholesaler _____
 Contractor _____
 Architect/Engineer _____



Garden Hose Female Inlet
 w/ Gasket



30" [762mm] Hose



(2) Chrome Plated
 Brass Wood Screws
 (Included)

Product Specifications:
 Stainless Steel Hose Hanger w/ Spring-Loaded Rubber Grip, and 30" Hose w/
 Female Garden Hose Inlet

Product Compliance: