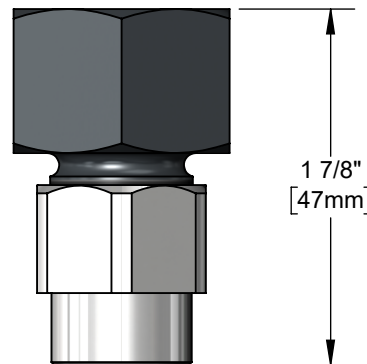
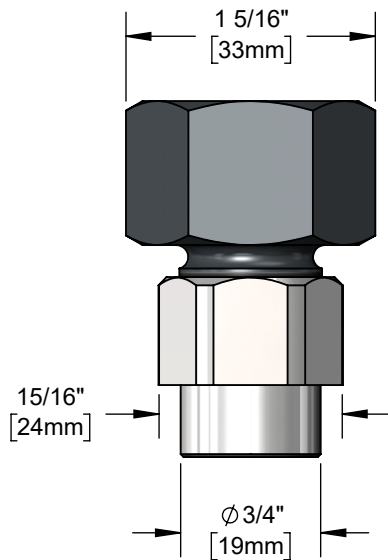
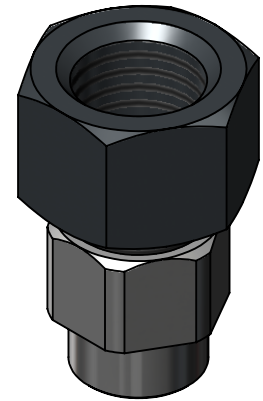




Architect/Engineering Specifications:

Pet grooming adapter kit with 1/2" NPT female inlet and 1/4" NPT female outlet.

Job Name _____
 Model Specified _____ Quantity _____
 Variations Specified _____
 Date _____



Features & Benefits:

- 1/2" NPT female inlet
- 1/4" NPT female outlet
- Material: Chrome plated brass

Product Compliance:

- NSF 61 Exempt (Non-Potable)

Warranty: One Year (Limited)

Performance Data:

- N/A

