



T&S BRASS AND BRONZE WORKS, INC.

2 Saddleback Cove / P.O. Box 1088
Travelers Rest, SC 29690

Model No.

B-2853-RSW-061X

Item No.

Travelers Rest, SC: 800-476-4103 • Simi Valley, CA: 800-423-0150 • Fax: 864-834-3518 • www.tsbrass.com

This Space for Architect/Engineer Approval

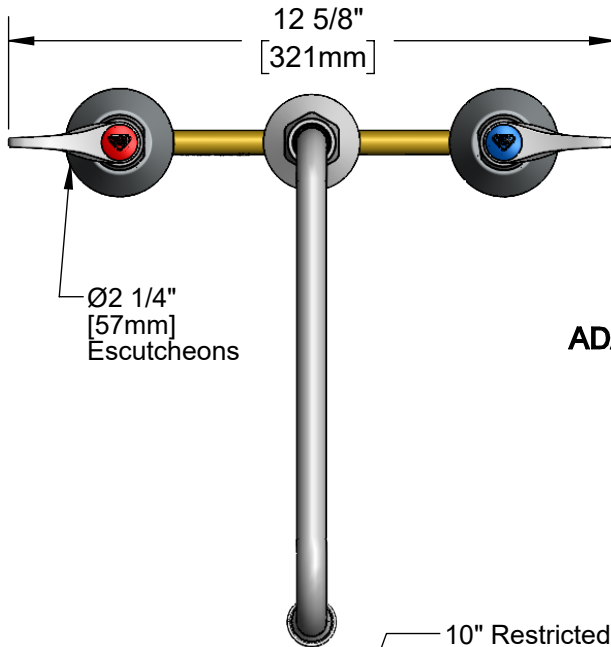
Job Name _____ Date _____

Model Specified _____ Quantity _____

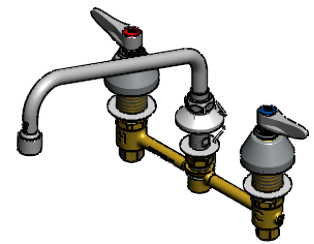
Customer/Wholesaler _____

Contractor _____

Architect/Engineer _____



ADA Compliant



10" Restricted Swing Nozzle
(100° Max Swing) w/
B-0199-06-N05
VR 0.5 GPM Non-Aerated
Spray Device

Quarter-Turn
Eterna Cartridges w/
Spring Checks &
Lever Handles w/
Color Coded Indexes
& VR Screws

2 5/8"
[66mm]

Ø2"
[51mm]
Restricted Swing
Swivel Deck
Flange

3 9/16"
[90mm]

10"
[254mm]

6 3/4"
[171mm]

Mounting Surface

1 1/4"
[31mm]
Maximum
Thickness

1/2" NPT
Coupling Nuts

8"
[203mm]

Rough-In Requirement:
Ø1" [25mm] for Center Shank
Ø1 1/2" [38mm] for Hot/Cold Sides

Product Specifications:

EasyInstall 8" Concealed Widespread Mixing Faucet, Quarter-Turn Eterna Cartridges w/ Spring Checks, Lever Handles, VR Screws, 10" Restricted Swing Nozzle w/ VR 0.5 GPM Non-Aerated Spray Device & 1/2" NPT Male Inlets w/ Coupling Nuts

Product Compliance:

ASME A112.18.1 / CSA B125.1
NSF 61 - Section 9
NSF 372 (Low Lead Content)
ANSI A117.1 (ADA)



T&S BRASS AND BRONZE WORKS, INC.

2 Saddleback Cove / P.O. Box 1088
Travelers Rest, SC 29690

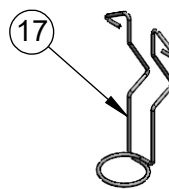
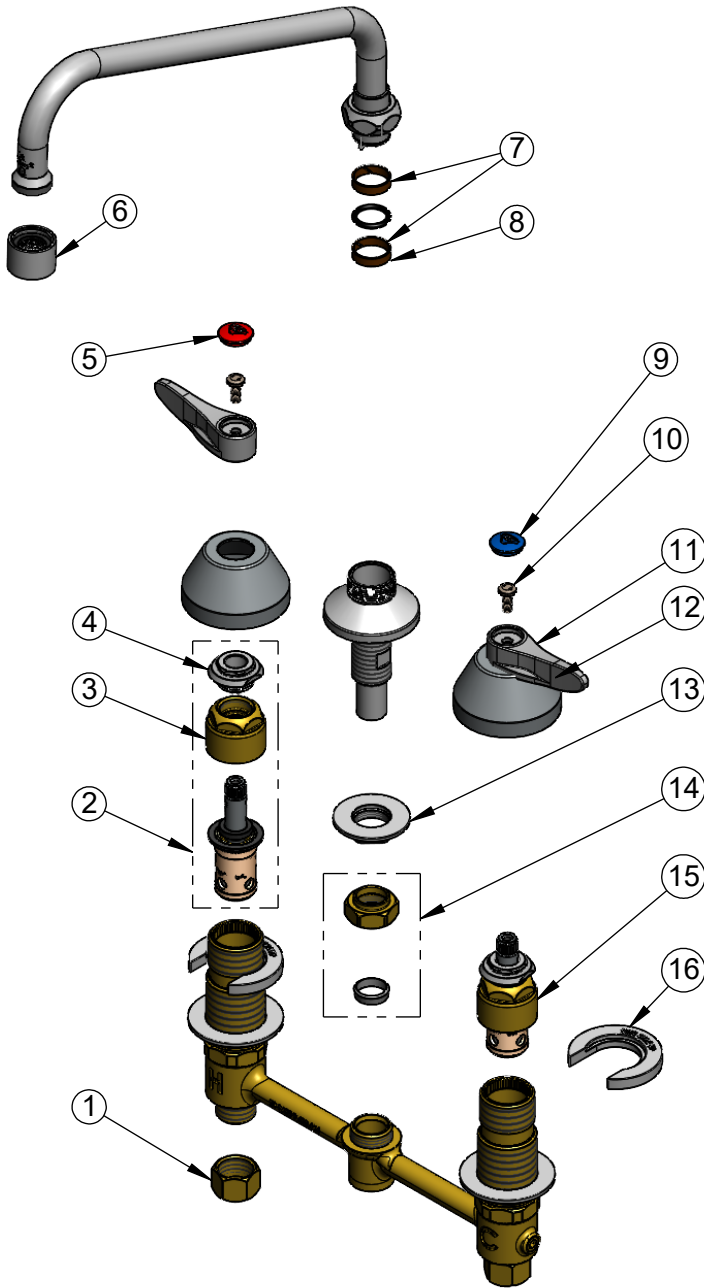
Model No.

B-2853-RSW-061X

Item No.

Travelers Rest, SC: 800-476-4103 • Simi Valley, CA: 800-423-0150 • Fax: 864-834-3518 • www.tsbrass.com

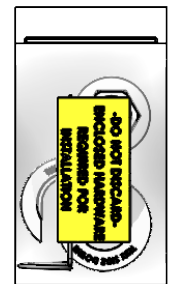
ITEM NO.	SALES NO.	DESCRIPTION
1	000958-20	Coupling Nut
2	016926-40NS	EasyInstall, CWS Quarter-Turn Eterna Cartridge w/ Spring Check, RTC
3	016743-20	CWS Eterna Bonnet
4	009002-40NS	CWS Packing Assembly
5	001193-19NS	Red Button Index, Press-in
6	B-0199-06-N05	VR 0.5 GPM Non-Aerated Spray Device, 55/64-27 UN Female w/ Key
7	011429-45	Swivel Sleeves (2)
8	001074-45	O-Ring
9	018506-19NS	Blue Button Index, Press-in
10	VRS-2	VR Wrist Action Handle Screw (2) w/ Spanner Bit
11	001638-45NS	Lever Handle (New Style)
12	001257-40NS	Bell Escutcheon
13	016742-45	Center Flange Nut
14	016745-45	Compression Nut & Fitting
15	016925-40NS	EasyInstall, CWS Quarter-Turn Eterna Cartridge w/ Spring Check, LTC
16	016749-45	Sidebody C-Washer
17	016777-45	CWS Hanger



014075-45
#10 Spanner Bit



015425-45
Vandal Resistant Key



017245-40
Installation Repair Kit
Includes #15, (2) #18, & #19

Product Specifications:

EasyInstall 8" Concealed Widespread Mixing Faucet, Quarter-Turn Eterna Cartridges w/ Spring Checks, Lever Handles, VR Screws, 10" Restricted Swing Nozzle w/ VR 0.5 GPM Non-Aerated Spray Device & 1/2" NPT Male Inlets w/ Coupling Nuts

Product Compliance:

ASME A112.18.1 / CSA B125.1
NSF 61 - Section 9
NSF 372 (Low Lead Content)
ANSI A117.1 (ADA)