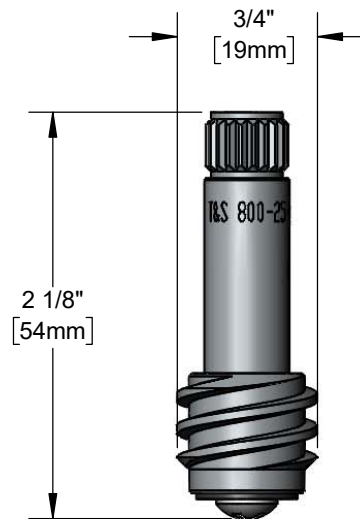




Architect/Engineering Specifications:

Old Style B-1100 RTC spindle with seat washer. Certified to NSF 61-Section 9 and NSF 372.

Job Name _____
 Model Specified _____ Quantity _____
 Variations Specified _____
 Date _____



Features & Benefits:

- Old style B-1100 series RTC spindle
- Seat washer included
- Fits all T&S faucets
- Material: Chrome plated brass

Product Compliance:

- NSF 61 - Section 9
- NSF 372 (Low Lead Content)

Warranty: One Year (Limited)

Performance Data:

- N/A

