



**T&S BRASS AND BRONZE WORKS, INC.**  
 2 Saddleback Cove / P.O. Box 1088  
 Travelers Rest, SC 29690

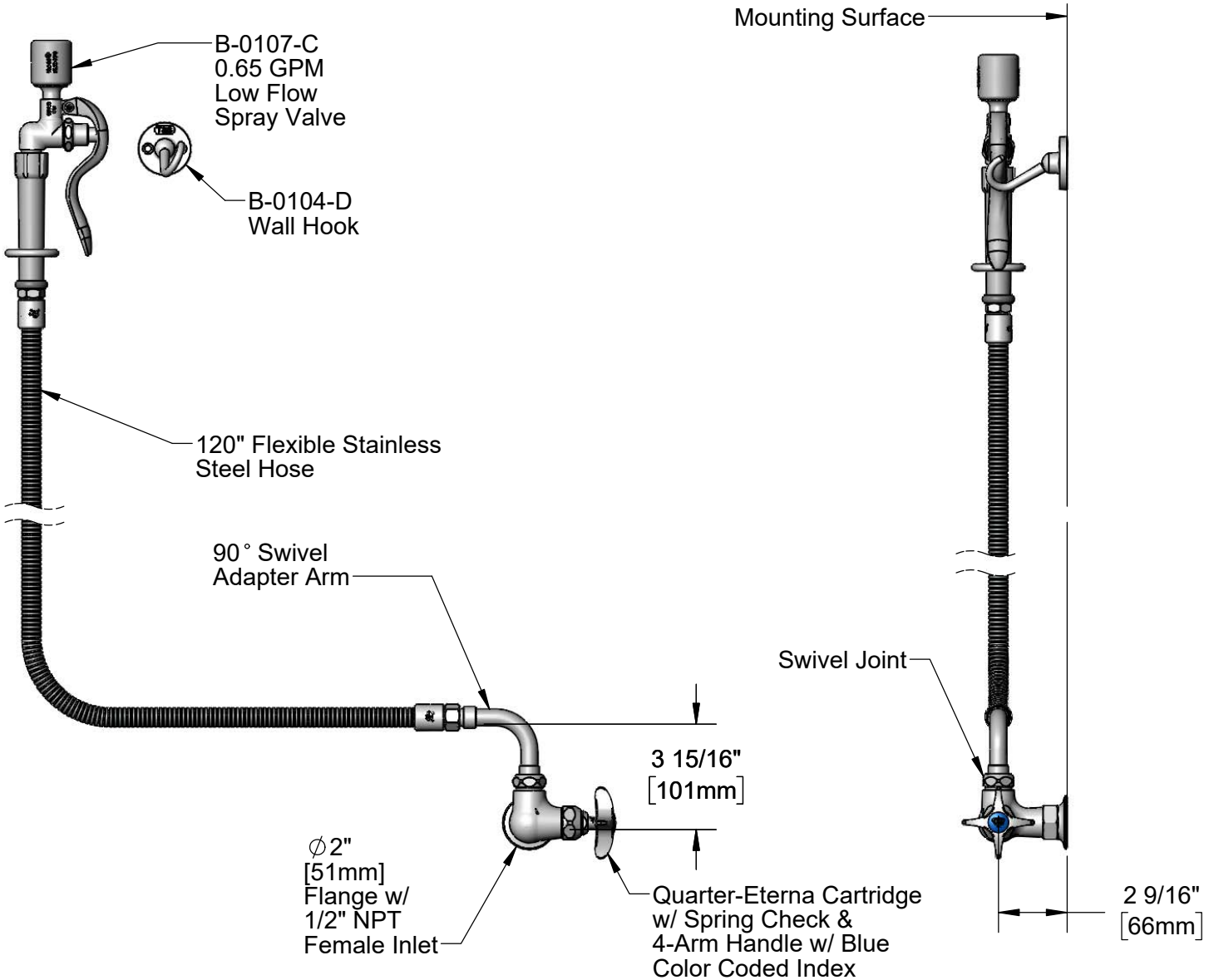
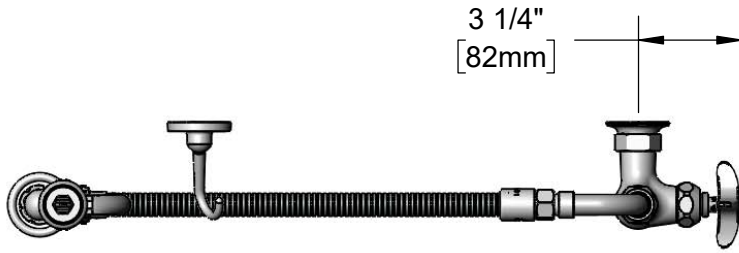
Model No.  
**B-0210-107C**

Item No.

Travelers Rest, SC: 800-476-4103 • Simi Valley, CA: 800-423-0150 • Fax: 864-834-3518 • www.tsbrass.com

This Space for Architect/Engineer Approval

Job Name \_\_\_\_\_ Date \_\_\_\_\_  
 Model Specified \_\_\_\_\_ Quantity \_\_\_\_\_  
 Customer/Wholesaler \_\_\_\_\_  
 Contractor \_\_\_\_\_  
 Architect/Engineer \_\_\_\_\_



**Product Specifications:**

Single Hole Single Temperature Wall Mount Faucet, Quarter-Turn Eterna Cartridge w/ Spring Check, 4-Arm Handle, Swivel Adapter Arm, 120" Flexible Stainless Steel Hose, 0.65 GPM Low Flow Spray Valve, Wall Hook & 1/2" NPT Female Inlet

**Product Compliance:**

ASME A112.18.1 / CSA B125.1  
 NSF 61 - Section 9  
 NSF 372 (Low Lead Content)  
 2019 DOE PRSV - Class I



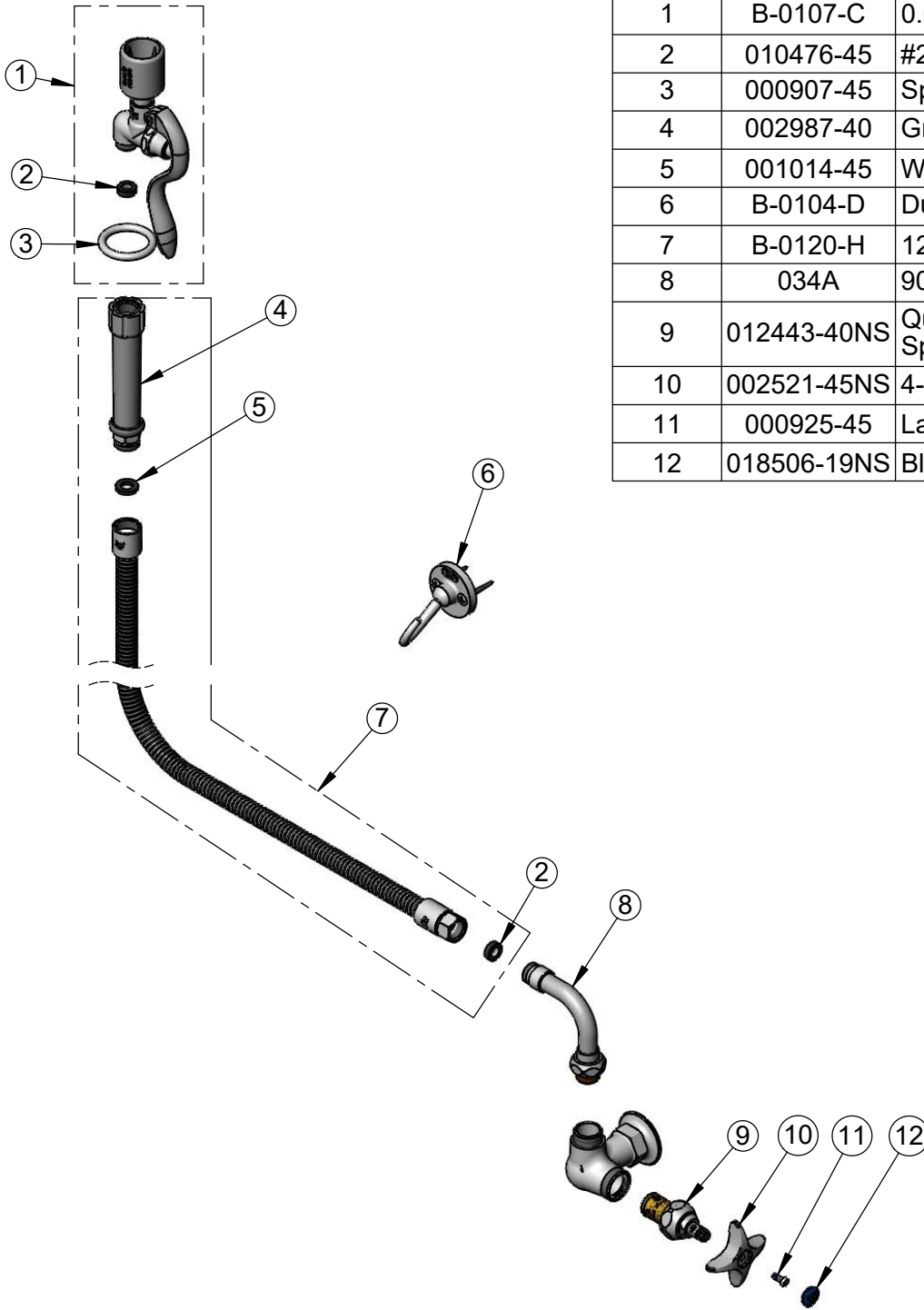
**T&S BRASS AND BRONZE WORKS, INC.**  
 2 Saddleback Cove / P.O. Box 1088  
 Travelers Rest, SC 29690

Model No.  
**B-0210-107C**

Item No.

Travelers Rest, SC: 800-476-4103 • Simi Valley, CA: 800-423-0150 • Fax: 864-834-3518 • www.tsbrass.com

ITEM NO.	SALES NO.	DESCRIPTION
1	B-0107-C	0.65 GPM Low Flow Spray Valve
2	010476-45	#27 Washer
3	000907-45	Spray Valve Hold Down Ring
4	002987-40	Grip Handle
5	001014-45	Washer, B-0100 Hose Barrel
6	B-0104-D	Dummy Wall Hook Bracket
7	B-0120-H	120" Flexible Stainless Steel Hose
8	034A	90° Swivel Adapter Arm
9	012443-40NS	Quarter-Turn Eterna Cartridge w/ Spring Check, RTC
10	002521-45NS	4-Arm Handle (New Style)
11	000925-45	Lab Handle Screw
12	018506-19NS	Blue Button Index, Press-in



**Product Specifications:**

Single Hole Single Temperature Wall Mount Faucet, Quarter-Turn Eterna Cartridge w/ Spring Check, 4-Arm Handle, Swivel Adapter Arm, 120" Flexible Stainless Steel Hose, 0.65 GPM Low Flow Spray Valve, Wall Hook & 1/2" NPT Female Inlet

**Product Compliance:**

ASME A112.18.1 / CSA B125.1  
 NSF 61 - Section 9  
 NSF 372 (Low Lead Content)  
 2019 DOE PRSV - Class I