



T&S BRASS AND BRONZE WORKS, INC.

2 Saddleback Cove / P.O. Box 1088
Travelers Rest, SC 29690

Model No.

B-0230-12VB-CRKIT

Item No.

Travelers Rest, SC: 800-476-4103 • Simi Valley, CA: 800-423-0150 • Fax: 864-834-3518 • www.tsbrass.com



ADA Compliant

This Space for Architect/Engineer Approval

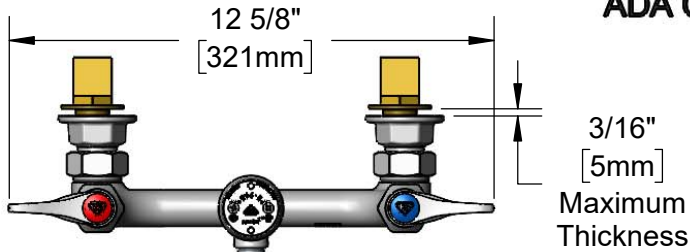
Job Name _____ Date _____

Model Specified _____ Quantity _____

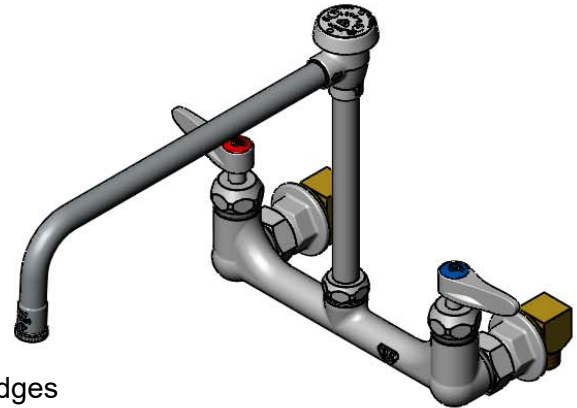
Customer/Wholesaler _____

Contractor _____

Architect/Engineer _____

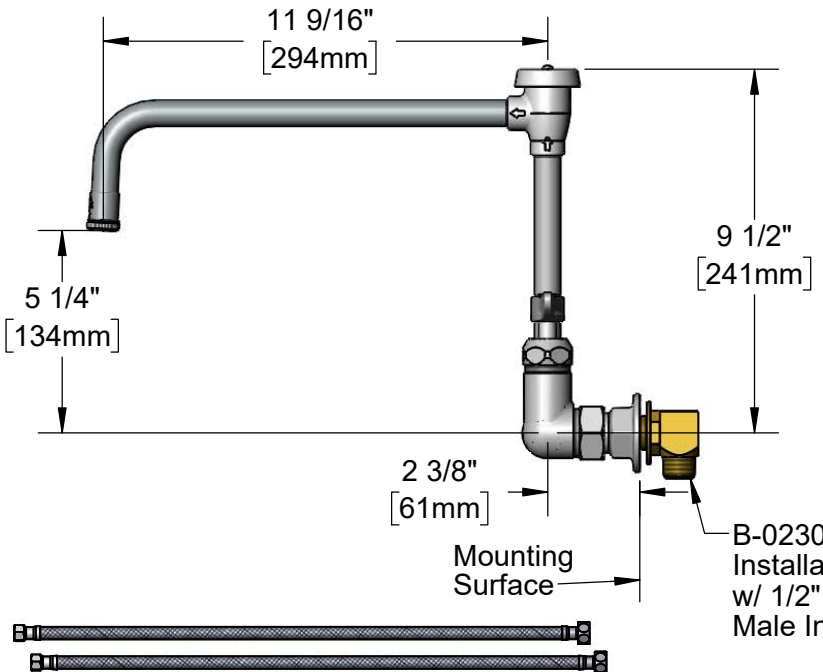
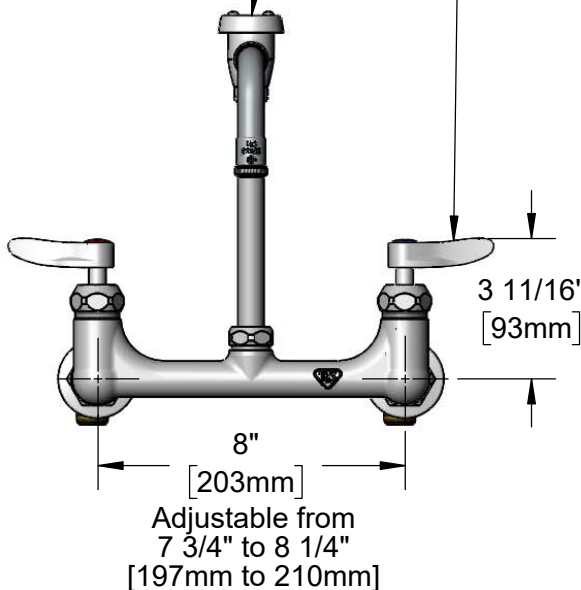


B-0407-04
Vacuum Breaker Swing Nozzle
w/ Stream Regulator Outlet.
Converts to Rigid w/
014200-45
Lock Washer (Included)



B-0968
3/8" NPT
Vacuum Breaker

Quarter-Turn Cerama Cartridges
w/ Check Valves &
Lever Handles w/
Color Coded Indexes



B-0230-K
Installation Kit
w/ 1/2" NPT
Male Inlets

Rough-In Requirement:
(2) ϕ 1" [25mm] Mounting Holes

B-0230-KIT
Short EL Installation Kit w/ (2) Flexible Stainless Steel Hoses

Product Specifications:

8" Wall Mount Mixing Faucet with Polished Chrome Plated Brass Body, Vacuum Breaker Swing Nozzle, Ceramic Cartridges with Check Valves, Lever Handles, 1/2" NPT Male Elbow Installation Kit with (2) 24" Flexible Stainless Steel Hoses

Product Compliance:

ASME A112.18.1 / CSA B125.1
NSF 61 - Section 9
NSF 372 (Low Lead Content)
ANSI A117.1 (ADA)



T&S BRASS AND BRONZE WORKS, INC.

2 Saddleback Cove / P.O. Box 1088
Travelers Rest, SC 29690

Model No.

B-0230-12VB-CRKIT

Item No.

Travelers Rest, SC: 800-476-4103 • Simi Valley, CA: 800-423-0150 • Fax: 864-834-3518 • www.tsbrass.com

	ITEM NO.	SALES NO.	DESCRIPTION
	1	B-LT	Stream Regulator Outlet
	2	001043-45	Washer
	3	072X	12" Nozzle
	4	B-0407-04	Vacuum Breaker Swing Nozzle
	5	B-0968	3/8" NPT Vacuum Breaker
	6	009538-45	Swivel Washer
	7	001074-45	O-Ring
	8	018506-19NS	Blue Button Index, Press-in
	9	012447-25NS	Quarter-Turn Cerama Cartridge w/ Check Valve, Handle, Blue Index & Screw, LTC
	10	012395-25NS	Quarter-Turn Cerama Cartridge w/ Check Valve, LTC
	11	001019-45	Coupling Nut Washer
	12	00AA	1/2" NPT Female Eccentric Flange
	13	000999-45	Brass Lock Washer
	14	002954-45	Shank Lock Nut
	15	B-0230-K	Short Elbow Installation Kit
	16	017420-45	24" Flexible Supply Hose
	17	B-0230-KIT	Short Elbow Installation Kit w/ (2) Hoses
	18	012446-25NS	Quarter-Turn Cerama Cartridge w/ Check Valve, Handle, Red Index & Screw, RTC
	19	012394-25NS	Quarter-Turn Cerama Cartridge w/ Check Valve, RTC
	20	001638-45NS	Lever Handle (New Style)
	21	000925-45	Lab Handle Screw
	22	001193-19NS	Red Button Index, Press-in
	23	014200-45	Star Washer, Anti-Rotation

Product Specifications:
8" Wall Mount Mixing Faucet with Polished Chrome Plated Brass Body, Vacuum Breaker Swing Nozzle, Ceramic Cartridges with Check Valves, Lever Handles, 1/2" NPT Male Elbow Installation Kit with (2) 24" Flexible Stainless Steel Hoses

Product Compliance:
ASME A112.18.1 / CSA B125.1
NSF 61 - Section 9
NSF 372 (Low Lead Content)
ANSI A117.1 (ADA)