



T&S BRASS AND BRONZE WORKS, INC.

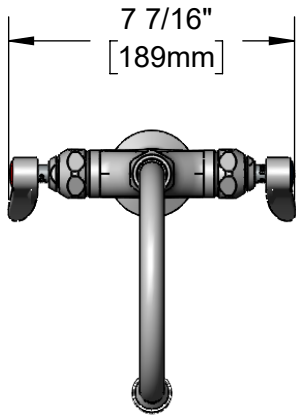
2 Saddleback Cove / P.O. Box 1088
Travelers Rest, SC 29690

Model No.

B-0301-01QT-WS

Item No.

Travelers Rest, SC: 800-476-4103 • Simi Valley, CA: 800-423-0150 • Fax: 864-834-3518 • www.tsbrass.com



ADA Compliant



This Space for Architect/Engineer Approval

Job Name _____ Date _____

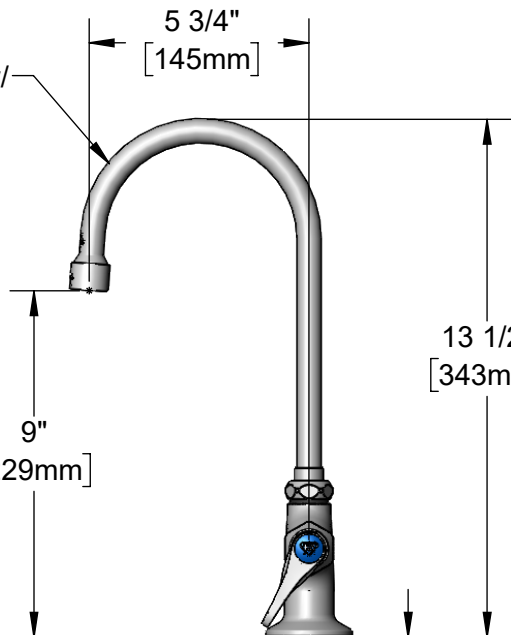
Model Specified _____ Quantity _____

Customer/Wholesaler _____

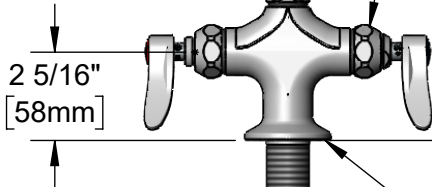
Contractor _____

Architect/Engineer _____

5 3/4" Swivel Gooseneck w/
B-0199-06-WS
VR 1.5 GPM Aerator.
Conversion to Rigid
Requires 014200-45
Lock Washer (Included)

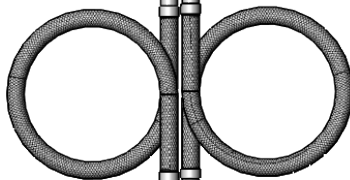


Quarter-Turn Eterna
Cartridges w/ Spring
Checks & Lever Handles
w/ Color Coded Indexes



Mounting
Surface

Ø 2 1/4" [57mm]
Deck Flange



18" Flexible Stainless
Steel Supply Hoses

Compression Fittings
for 5/8" O.D. Copper Tubing
(Remove Compression Nut
for 1/2" NPSM Male)

Ø 1 1/8"
[29mm]

1 7/8"
[48mm]
Maximum
Thickness

Rough-In Requirement:
Ø 1 1/2" [38mm] Mounting Hole

Product Specifications:

Single Hole Deck Mount Mixing Faucet, Quarter-Turn Eterna Cartridges w/ Spring Checks, Swivel/Rigid Gooseneck w/ 1.5 GPM Vandal Resistant Aerator, Lever Handles & 18" Flexible Stainless Steel Supply Hoses w/ 1/2" NPSM Male Inlets

Product Compliance:

ASME A112.18.1 / CSA B125.1
NSF 61 - Section 9
NSF 372 (Low Lead Content)
ANSI A117.1 (ADA)
EPA WaterSense



T&S BRASS AND BRONZE WORKS, INC.

2 Saddleback Cove / P.O. Box 1088
Travelers Rest, SC 29690

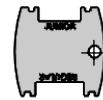
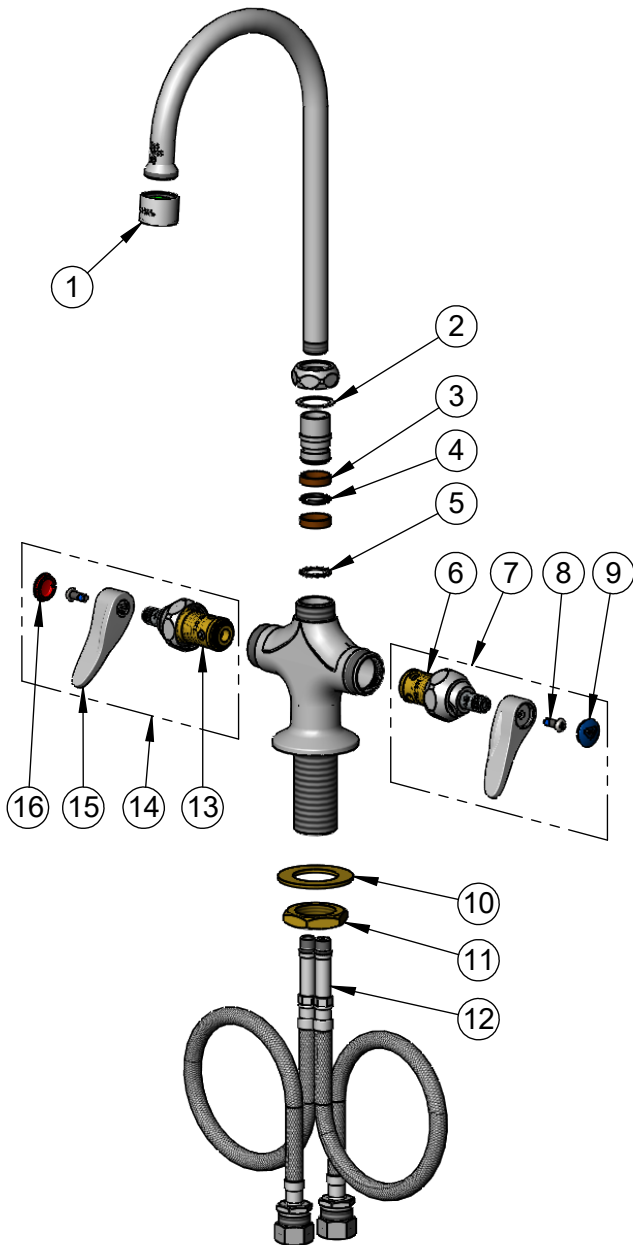
Model No.

B-0301-01QT-WS

Item No.

Travelers Rest, SC: 800-476-4103 • Simi Valley, CA: 800-423-0150 • Fax: 864-834-3518 • www.tsbrass.com

| ITEM NO. | SALES NO. | DESCRIPTION |
|----------|--------------|--|
| 1 | B-0199-06-WS | VR 1.5 GPM Aerator, 55/64-27 UN Female w/ Key |
| 2 | 009538-45 | Swivel Washer |
| 3 | 011429-45 | Swivel Sleeves (2) |
| 4 | 001074-45 | O-Ring |
| 5 | 014200-45 | Star Washer, Anti-Rotation |
| 6 | 012442-40NS | Quarter-Turn Eterna Cartridge w/ Spring Check, LTC |
| 7 | 002711-40NS | Quarter-Turn Eterna Cartridge w/ Spring Check, Handle, Blue Index & Screw, LTC |
| 8 | 000925-45 | Lab Handle Screw |
| 9 | 018506-19NS | Blue Button Index, Press-in |
| 10 | 002290-45 | Lock Washer |
| 11 | 000965-45 | Lock Nut |
| 12 | 012534-45 | 18" Flexible Supply Hose (2) |
| 13 | 012443-40NS | Quarter-Turn Eterna Cartridge w/ Spring Check, RTC |
| 14 | 002712-40NS | Quarter-Turn Eterna Cartridge w/ Spring Check, Handle, Red Index & Screw, RTC |
| 15 | 001638-45NS | Lever Handle (New Style) |
| 16 | 001193-19NS | Red Button Index, Press-in |



015425-45
Vandal Resistant Key

Product Specifications:

Single Hole Deck Mount Mixing Faucet, Quarter-Turn Eterna Cartridges w/ Spring Checks, Swivel/Rigid Gooseneck w/ 1.5 GPM Vandal Resistant Aerator, Lever Handles & 18" Flexible Stainless Steel Supply Hoses w/ 1/2" NPSM Male Inlets

Product Compliance:

ASME A112.18.1 / CSA B125.1
NSF 61 - Section 9
NSF 372 (Low Lead Content)
ANSI A117.1 (ADA)
EPA WaterSense