



T&S BRASS AND BRONZE WORKS, INC.
 2 Saddleback Cove / P.O. Box 1088
 Travelers Rest, SC 29690

Model No.
020974-40

Item No.

Travelers Rest, SC: 800-476-4103 • Simi Valley, CA: 800-423-0150 • Fax: 864-834-3518 • www.tsbrass.com

This Space for Architect/Engineer Approval

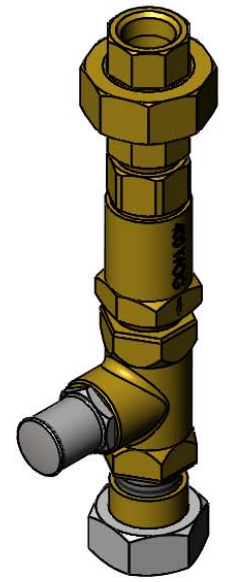
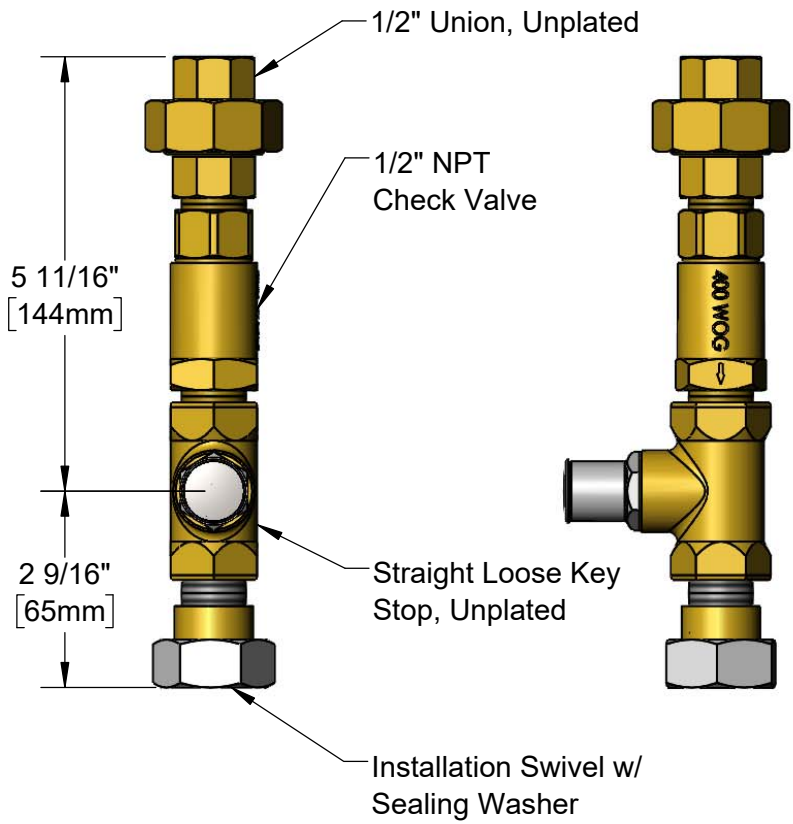
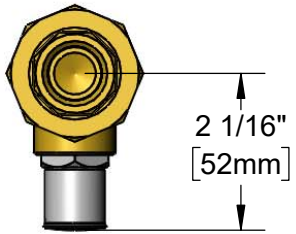
Job Name _____ Date _____

Model Specified _____ Quantity _____

Customer/Wholesaler _____

Contractor _____

Architect/Engineer _____



Product Specifications:
 EasyInstall Cabinet Union, Check Valve & Supply Stop Assembly

Product Compliance:
 ASME A112.18.1/CSA B125.1
 NSF 61-Section 9
 NSF 372 (Low Lead Content)



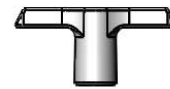
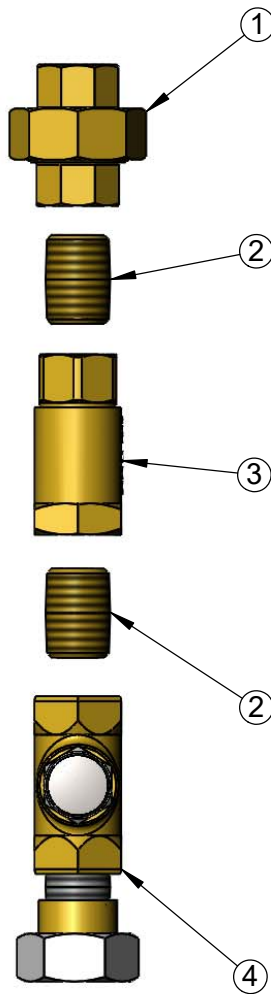
T&S BRASS AND BRONZE WORKS, INC.
 2 Saddleback Cove / P.O. Box 1088
 Travelers Rest, SC 29690

Model No.
020974-40

Item No.

Travelers Rest, SC: 800-476-4103 • Simi Valley, CA: 800-423-0150 • Fax: 864-834-3518 • www.tsbrass.com

ITEM NO.	SALES NO.	DESCRIPTION
1	006649-20	1/2" NPT Union w/ Washer
2	002534-20	Nipple, Close - 1/2" NPT
3	B-CVH1-2	1/2" NPT Female Check Valve
4	020848-20	Straight Loose Key Stop, Unplated



001802-45
 Loose Key
 (Sold Separately)

Product Specifications:
 EasyInstall Cabinet Union, Check Valve & Supply Stop Assembly

Product Compliance:
 ASME A112.18.1/CSA B125.1
 NSF 61-Section 9
 NSF 372 (Low Lead Content)