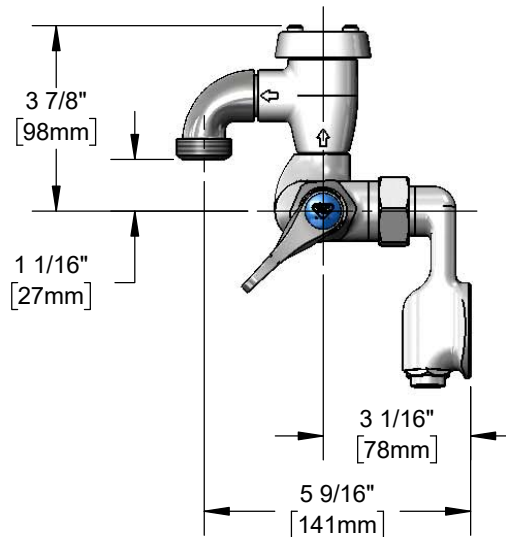
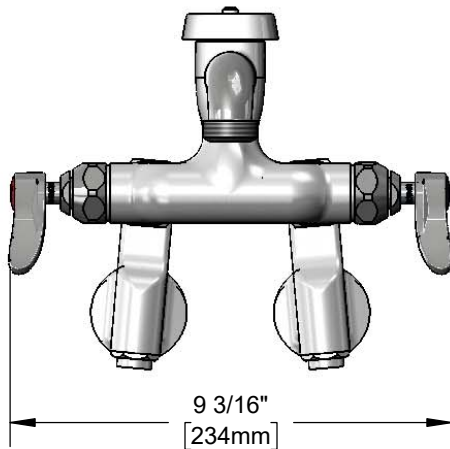
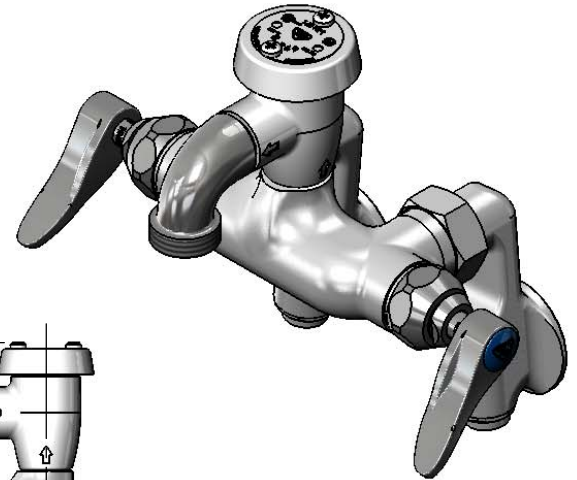




Architect/Engineering Specifications:

Wall mount mixing faucet with rough chrome plated brass body, rough chrome plated brass spout with vacuum breaker, garden hose male outlet, compression cartridge with spring checks, lever handles and 1/2" NPT female adjustable inlets with built in service stops. Certified to ASME A112.18.1/CSA B125.1, NSF 61-Section 9, NSF 372 and ASSE 1001. Meets ADA ANSI/ICC A117.1 requirements.

Job Name _____
 Model Specified _____ Quantity _____
 Variations Specified _____
 Date _____



Features & Benefits:

- Wall mount mixing faucet with rough chrome plated brass body
- Rough chrome plated brass spout w/ 3/4" garden hose male outlet
- Vacuum breaker
- Quarter-turn Eterna cartridge with spring checks to prevent the cross flow of water
- Lever handles with color coded indexes
- 1/2" NPT female adjustable arm inlets with \varnothing 2" flanges and built-in service stops
- Adjustable centers from 2 1/4" to 8 1/4" above or below centerline
- Material: Rough chrome plated brass body & spout and chrome plated metal handles

Product Compliance:

- ASME A112.18.1 / CSA B125.1
- NSF 61 - Section 9
- NSF 372 (Low Lead Content)
- ANSI A117.1 (ADA)
- ASSE 1001 (VB)

Warranty: One Year (Limited)

Performance Data:

- Pressure: 20 - 125 psi
- Temperature: 40 °F - 140 °F
- Flow Rate: 14.37 GPM @ 60 psi



ADA Compliant



Optional Handles

- 4" Wrist Action
- Lever (Standard)
- 4-Arm

Optional Cartridges With Checks

- Quarter-Turn Cerama w/ Check Valve
- Quarter-Turn Eterna w/ Spring Check (Standard)

