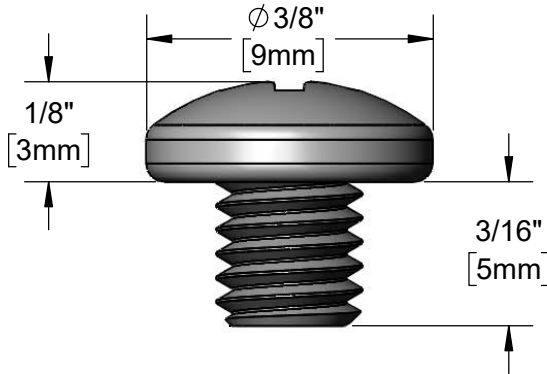




Architect/Engineering Specifications:

3/16" cap screw with #2 drive, stainless steel.

Job Name _____
 Model Specified _____ Quantity _____
 Variations Specified _____
 Date _____



Features & Benefits:

- 3/16" cap screw with #2 drive
- Material: Stainless steel

Product Compliance:

- N/A

Warranty: One Year (Limited)

Performance Data:

- N/A

