



**Pre-Rinse Accessories**  
**B-KFD**

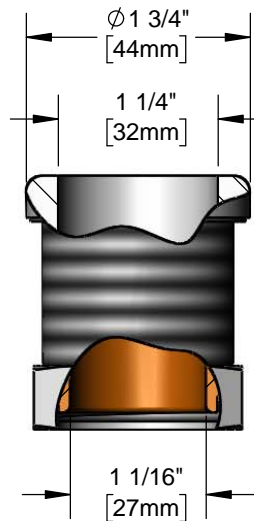
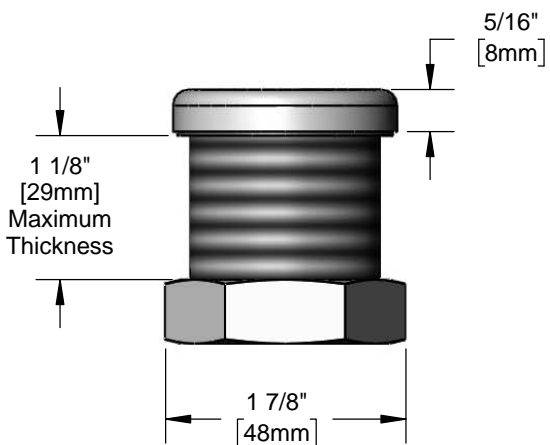
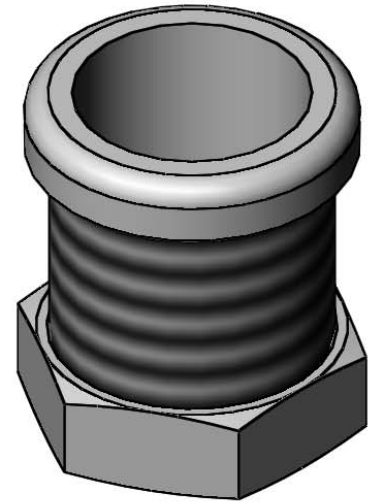
TAG:

*Built-In Protective Flange*

**Architect/Engineering Specifications:**

Polished chrome plated protective flange for deck mounted spray hoses with plastic guide bushing and seal washer.

Job Name \_\_\_\_\_  
 Model Specified \_\_\_\_\_ Quantity \_\_\_\_\_  
 Variations Specified \_\_\_\_\_  
 Date \_\_\_\_\_



**Features & Benefits:**

- Protective flange for deck mounted spray hoses
- Plastic guide bushing and seal washer
- Flange fits 1 9/16" hole
- Fits deck up to 1 1/8" thick
- Material: Polished chrome plated flange and nut

**Product Compliance:**

- N/A

**Warranty:** One Year (Limited)

**Performance Data:**

- N/A



**T&S BRASS AND BRONZE WORKS, INC.**



• 2 Saddleback Cove • Travelers Rest, SC 29690  
 Ph 800-476-4103 • Fax 864-834-3518  
 • Simi Valley, CA • Ph 800-423-0150 • www.tsbrass.com

Date: 05/05/17