



**T&S BRASS AND BRONZE WORKS, INC.**  
 2 Saddleback Cove / P.O. Box 1088  
 Travelers Rest, SC 29690

Model No.  
**B-KFD**

Item No.

Travelers Rest, SC: 800-476-4103 • Simi Valley, CA: 800-423-0150 • Fax: 864-834-3518 • www.tsbrass.com

This Space for Architect/Engineer Approval

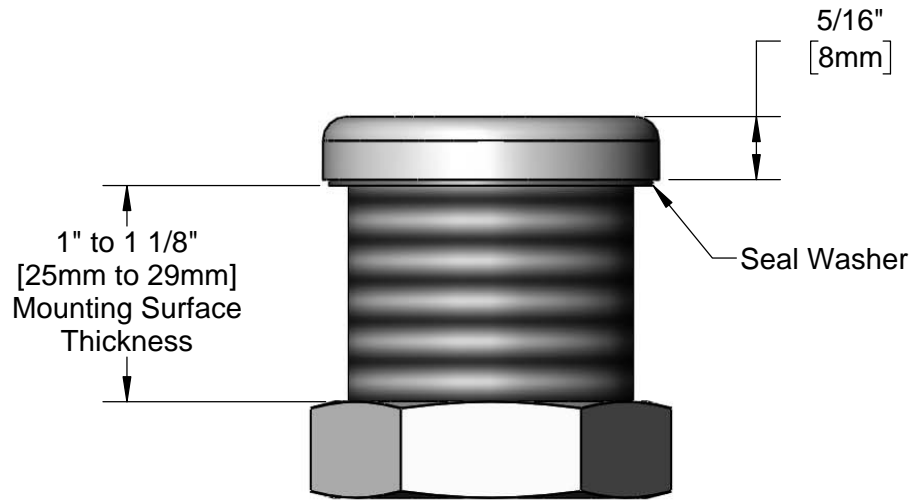
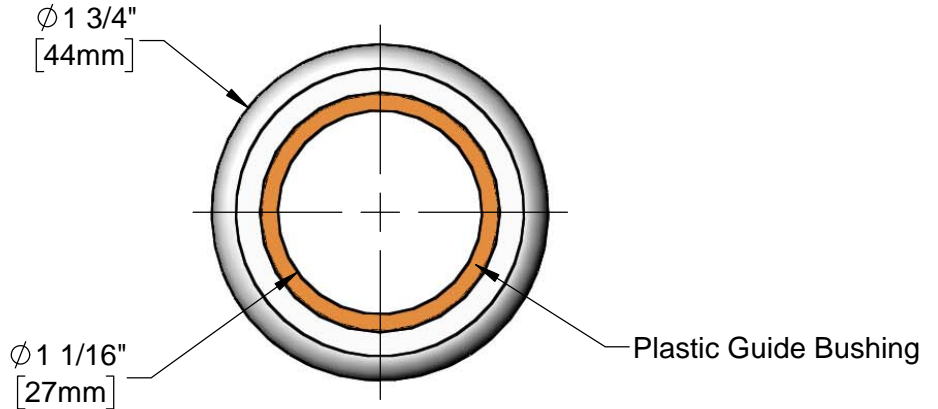
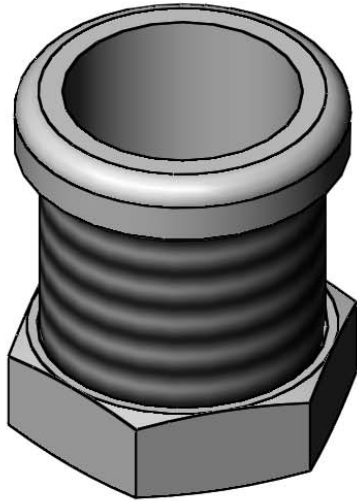
Job Name \_\_\_\_\_ Date \_\_\_\_\_

Model Specified \_\_\_\_\_ Quantity \_\_\_\_\_

Customer/Wholesaler \_\_\_\_\_

Contractor \_\_\_\_\_

Architect/Engineer \_\_\_\_\_



Chrome Plated Brass Flange & Nut

Rough-In Requirement:  
 $\phi 1 \frac{9}{16}$ " [40mm] Hole

Product Specifications:  
 Protective Flange for Deck Mounted Spray Hoses  
 (For Mounting Surface Thicknesses From 1" to 1 1/8")

Product Compliance: