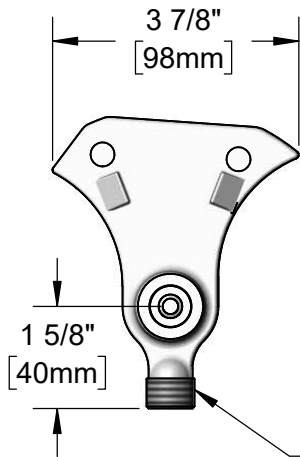




Architect/Engineering Specifications:

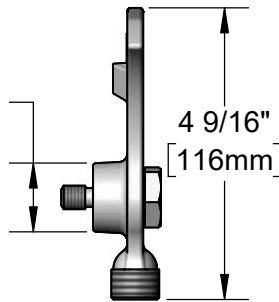
Polished chrome plated knee valve cam with o-rings and cam bolt.

Job Name \_\_\_\_\_  
 Model Specified \_\_\_\_\_ Quantity \_\_\_\_\_  
 Variations Specified \_\_\_\_\_  
 Date \_\_\_\_\_



3/8-18 UN  
Male Thread

Ø 1 1/16"  
[27mm]



Features & Benefits:

- Knee valve cam
- O-rings and cam bolt
- 3/8-18 UN thread
- 3/16-16 UN thread
- Material: Polished chrome plated brass

Product Compliance:

- N/A

Warranty: One Year (Limited)

Performance Data:

- N/A

