



Eyewash Stations

EW-8904

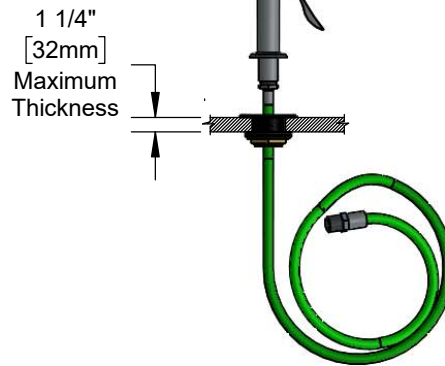
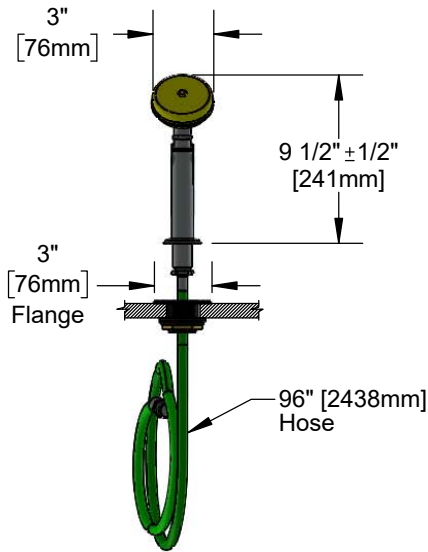
TAG:

Laboratory Eye/Face Wash Unit

Architect/Engineering Specifications:

Counter mounted laboratory eye/face wash with 45° head position, stay open squeeze lever valve, 96" rubber hose, deck flange and 1/2" NPT male Inlet. Certified to ANSI Z358.1.

Job Name _____
 Model Specified _____ Quantity _____
 Variations Specified _____
 Date _____



Features & Benefits:

- Counter mounted laboratory eye/face wash
- 45° head position
- Stay open squeeze lever valve
- 96" rubber hose
- Deck flange
- 1/2" NPT male Inlet
- Material: Stainless steel housing and rubber hose

Product Compliance:

- ANSI Z358.1 (Latest Revision)
- NSF 61 Exempt (Non-Potable)



Warranty: One Year (Limited)

Performance Data:

- Pressure: 30 - 90 psi [2.07 - 6.20 bar]
- Temperature: 60 °F - 100 °F [15.55 °C - 37.78 °C]
- Flow Rate: 3.7 GPM [14.00 L/min]@ 60 psi [4.14 bar]



T&S BRASS AND BRONZE WORKS, INC.



• 2 Saddleback Cove • Travelers Rest, SC 29690
 Ph 800-476-4103 • Fax 864-834-3518
 • Simi Valley, CA • Ph 800-423-0150 • www.tsbrass.com

Date: 07/17/20