

This Space for Architect/Engineer Approval

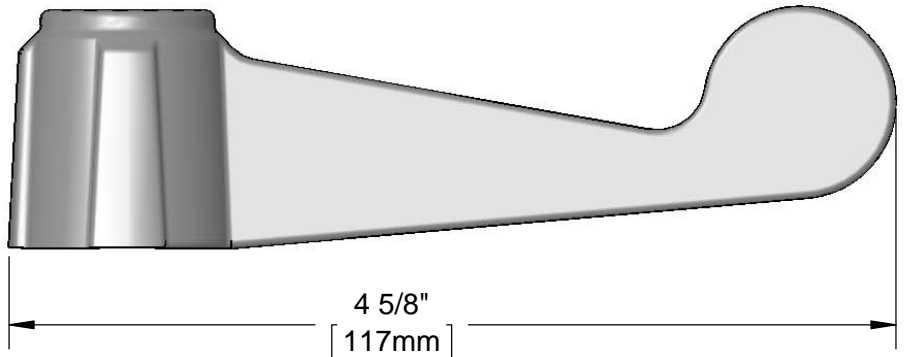
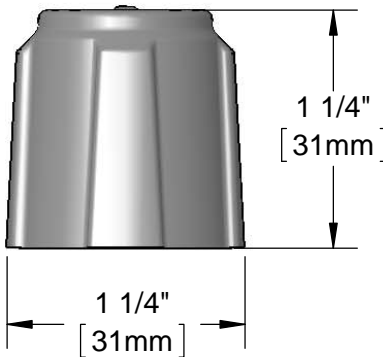
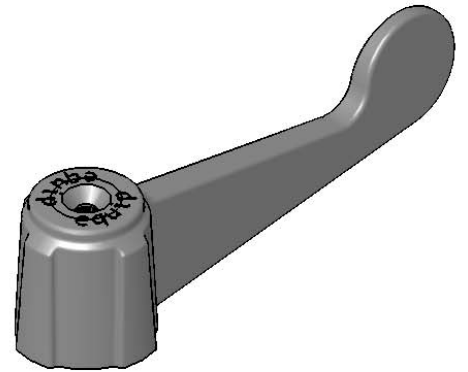
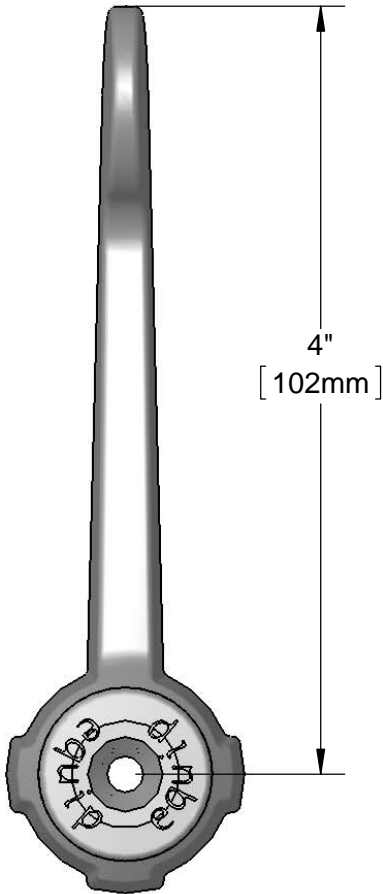
Job Name _____ Date _____

Model Specified _____ Quantity _____

Customer/Wholesaler _____

Contractor _____

Architect/Engineer _____

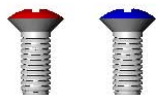


5-HDL-W INCLUDES:

1 EQUIP WRIST ACTION HANDLE

1 STAINLESS STEEL CSK SCREW, COLOR CODED (RED) w/ SELF-LOCKING PATCH

1 STAINLESS STEEL CSK SCREW, COLOR CODED (BLUE) w/ SELF-LOCKING PATCH



Model Number
5-HDL-W

Product Specifications:
**EQUIP WRIST ACTION HANDLE KIT
w/ (2) COLOR CODED SCREWS
(1-RED & 1-BLUE)**

Product Compliance:

equip
Foodservice
Accessories



2 Saddleback Cove, P.O. Box 1088
Travelers Rest, South Carolina 29690
Phone: 800.891.4808 Fax: 800.868.0084
equip.tsbrass.com