



Architect/Engineering Specifications:

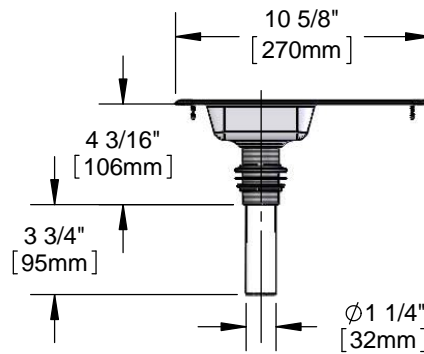
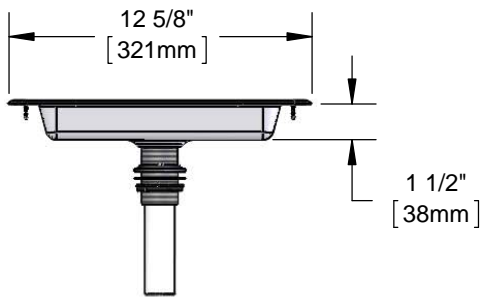
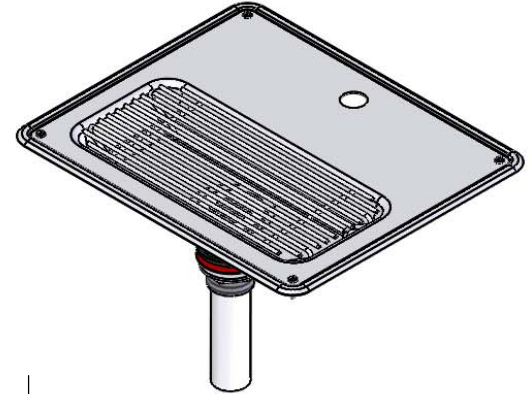
Stainless steel drip pan for deck mount water station, drop-in grid and 1 1/4" drain. Certified to ASME A112.18.2/CSA B125.2 (Drain).

Job Name _____

Model Specified _____ Quantity _____

Variations Specified _____

Date _____



Features & Benefits:

- Stainless steel drip pan for deck mount water station
- Drip pan drop-in grid
- Ø 1 1/4" drain
- Material: Stainless steel drip pan and grid

Product Compliance:

- ASME A112.18.2 / CSA B125.2 (Drain)

Warranty: One Year (Limited)

Performance Data:

- Discharge Rate: 18.00 GPM max

