



**T&S BRASS AND BRONZE WORKS, INC.**  
 2 Saddleback Cove / P.O. Box 1088  
 Travelers Rest, SC 29690

Model No.  
**BL-4710-03**

Item No.

Travelers Rest, SC: 800-476-4103 • Simi Valley, CA: 800-423-0150 • Fax: 864-834-3518 • www.tsbrass.com

This Space for Architect/Engineer Approval

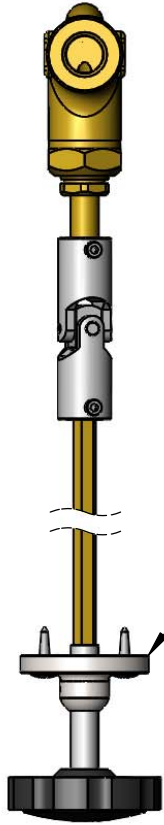
Job Name \_\_\_\_\_ Date \_\_\_\_\_

Model Specified \_\_\_\_\_ Quantity \_\_\_\_\_

Customer/Wholesaler \_\_\_\_\_

Contractor \_\_\_\_\_

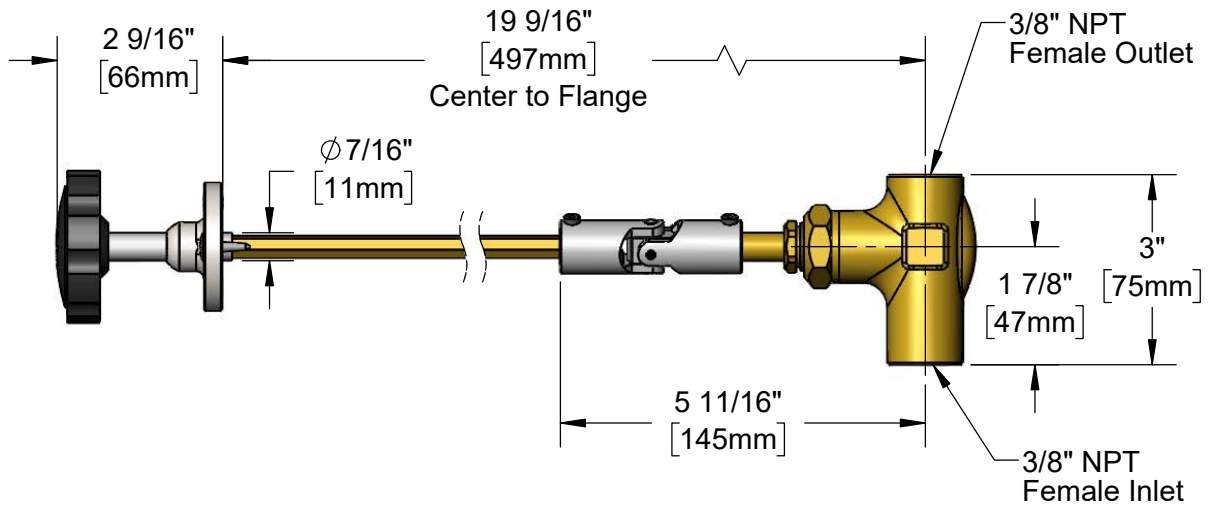
Architect/Engineer \_\_\_\_\_



Ø 2" [51mm]  
 Guide Flange  
 w/ Mounting Screws  
 (Included)



Black Heat Resistant  
 Composite Handle



Product Specifications:  
 Remote Control Straight Valve for Steam w/ 19 9/16" Centerline-to-Flange,  
 Heat Resistant Handle, Guide Flange w/ Mounting Screws &  
 3/8" NPT Inlet & Outlet

Product Compliance:  
 N/A



**T&S BRASS AND BRONZE WORKS, INC.**  
2 Saddleback Cove / P.O. Box 1088  
Travelers Rest, SC 29690

Model No.  
**BL-4710-03**

Item No.

Travelers Rest, SC: 800-476-4103 • Simi Valley, CA: 800-423-0150 • Fax: 864-834-3518 • www.tsbrass.com

ITEM NO.	SALES NO.	DESCRIPTION
1	000922-45	Lever Handle Screw
2	001149-20	Handle, Heat Resistant, Black
3	BL-4740-01	Guide Flange w/ Mounting Screws
4	002336-20	Universal Joint, Remote Control
5	000942-45	Set Screw, 1/4-20 UN
6	000529-20	Seat
7	001065-45	O-Ring



Product Specifications:  
Remote Control Straight Valve for Steam w/ 19 9/16" Centerline-to-Flange,  
Heat Resistant Handle, Guide Flange w/ Mounting Screws &  
3/8" NPT Inlet & Outlet

Product Compliance:  
N/A