



Epoxy Coated Retractable Hose Reels

TAG:

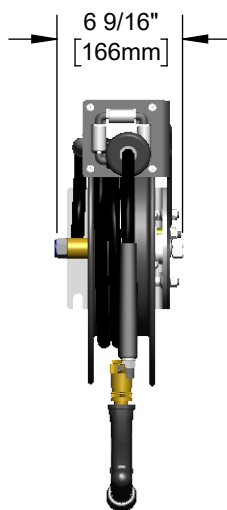
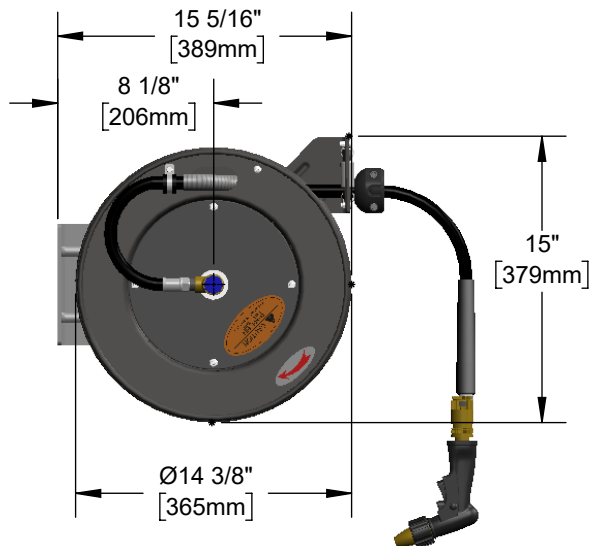
5HR-232-09-A

Open Epoxy Coated Steel Hose Reel

Architect/Engineering Specifications:

Open epoxy coated steel hose reel with black front trigger water gun, 3/8" NPT male x 1/2" NPT female reducing adapter, 3/8" x 35' hose, ratcheting system, multi-fit bracket, adjustable hose bumper and 3/8" NPT female inlet.

Job Name _____
 Model Specified _____ Quantity _____
 Variations Specified _____
 Date _____



Features & Benefits:

- Open epoxy coated hose reel
- Black front trigger water gun w/ quick disconnect and adapters
- 3/8" NPT male x 1/2" NPT female reducing adapter included
- 3/8" x 35' hose
- Ratcheting system holds the length of hose until a slight tug to retract automatically
- 3/8" NPT female inlet
- Adjustable hose bumper
- Multi-fit bracket for wall, ceiling or under counter mounting
- Material: Epoxy coated steel open reel wall bracket and brass & thermoplastic spray valve

Product Compliance:

- EPAAct 2005 Non-Compliant (PRSV)
- NSF 61 Exempt (Non-Potable)

Warranty: One Year (Limited)

- Hose: One year (Limited)

Performance Data:

- Pressure: 20 - 125 psi [1.38-8.62 bar]
- Temperature: 40°F - 140°F [4.44°C - 60°C]
- Flow Rate: 3.02 GPM [11.4 l/min] @ 60 psi [4.14 bar]



equip Foodservice Accessories



• 2 Saddleback Cove • Travelers Rest, SC 29690
 Ph 800-891-4808 • Fax 800-868-0084
 www.tsbrass.com

Date: 10/18/24