



T&S BRASS AND BRONZE WORKS, INC.

2 Saddleback Cove / P.O. Box 1088
Travelers Rest, SC 29690

Model No.

B-0101-BKF

Item No.

Travelers Rest, SC: 800-476-4103 • Simi Valley, CA: 800-423-0150 • Fax: 864-834-3518 • www.tsbrass.com

This Space for Architect/Engineer Approval

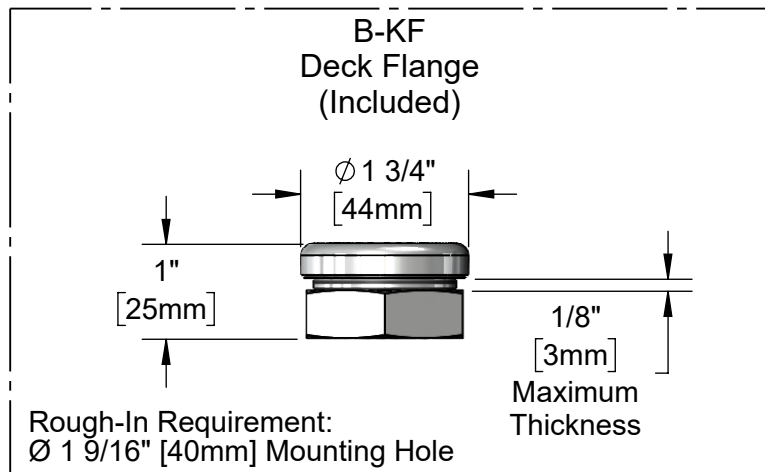
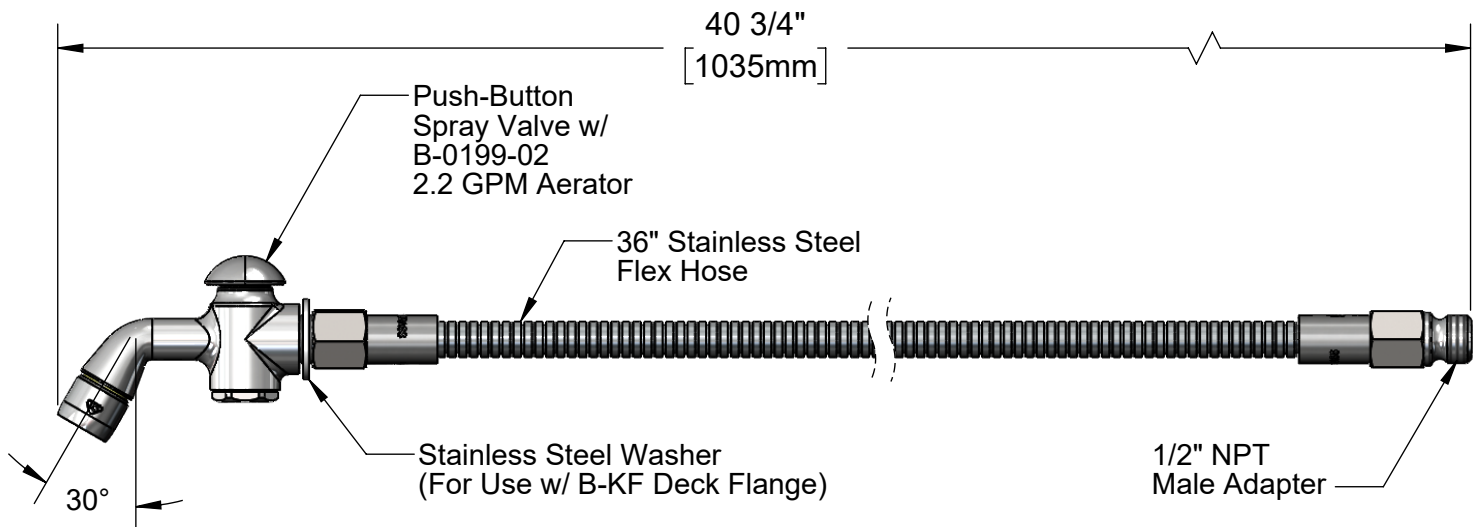
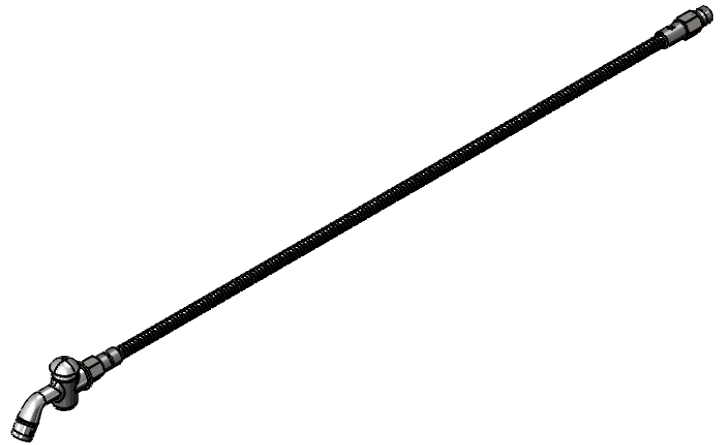
Job Name _____ Date _____

Model Specified _____ Quantity _____

Customer/Wholesaler _____

Contractor _____

Architect/Engineer _____



Product Specifications:
Push-Button Spray Valve w/ 2.2 GPM Aerator Outlet,
36" Stainless Steel Flex Hose & B-KF Deck Flange

Product Compliance:
ASME A112.18.1 / CSA B125.1
NSF 61 - Section 9
NSF 372 (Low Lead Content)
EPA Act 2005 Non-Compliant (PRSV)
Product Not Designed/Intended for
Commercial Warewashing in North America



T&S BRASS AND BRONZE WORKS, INC.

2 Saddleback Cove / P.O. Box 1088
Travelers Rest, SC 29690

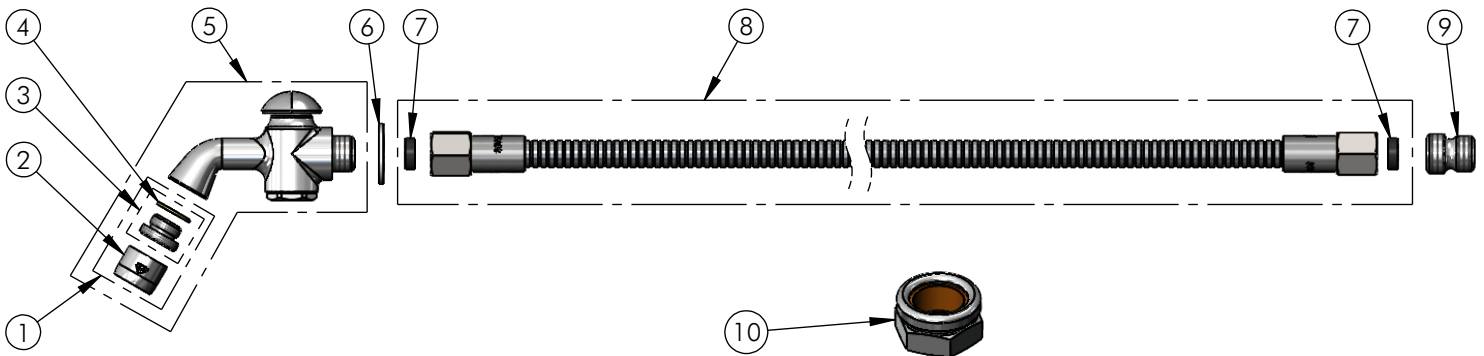
Model No.

B-0101-BKF

Item No.

Travelers Rest, SC: 800-476-4103 • Simi Valley, CA: 800-423-0150 • Fax: 864-834-3518 • www.tsbrass.com

| ITEM NO. | SALES NO. | DESCRIPTION |
|----------|-----------|--------------------------------------------|
| 1 | B-0199-02 | 2.2 GPM Aerator, 3/8" NPSM Male |
| 2 | B-0199-01 | 2.2 GPM Aerator, 55/64"-27 UN Female |
| 3 | 044A | 3/8" to 55/64"-27 UN Aerator Adapter |
| 4 | 001043-45 | Washer |
| 5 | 002858-40 | Push-Button Spray Valve w/ 2.2 GPM Aerator |
| 6 | 001010-40 | Washer, Stainless Steel |
| 7 | 010476-45 | #27 Washer |
| 8 | 013E-36H | 36" Stainless Steel Flex Hose |
| 9 | 055A | Adapter, 1/2 NPT Male |
| 10 | B-KF | Deck Flange |



Product Specifications:

Push-Button Spray Valve w/ 2.2 GPM Aerator Outlet,
36" Stainless Steel Flex Hose & B-KF Deck Flange

Product Compliance:

ASME A112.18.1 / CSA B125.1
NSF 61 - Section 9
NSF 372 (Low Lead Content)
EPA Act 2005 Non-Compliant (PRSV)
Product Not Designed/Intended for
Commercial Warewashing in North America