



T&S BRASS AND BRONZE WORKS, INC.

2 Saddleback Cove / P.O. Box 1088
Travelers Rest, SC 29690

Model No.

B-2360-02

Item No.

Travelers Rest, SC: 800-476-4103 • Simi Valley, CA: 800-423-0150 • Fax: 864-834-3518 • www.tsbrass.com



ADA Compliant

This Space for Architect/Engineer Approval

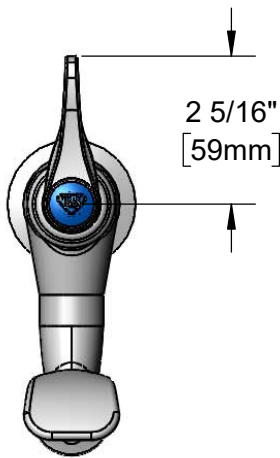
Job Name _____ Date _____

Model Specified _____ Quantity _____

Customer/Wholesaler _____

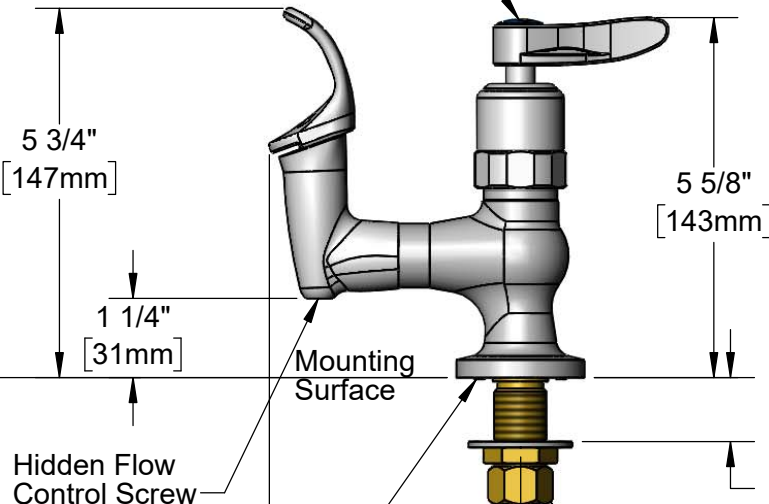
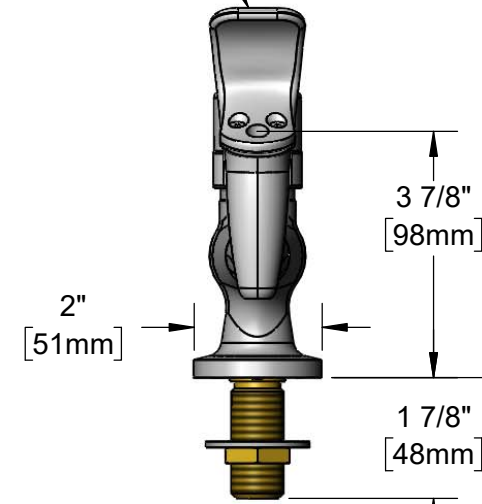
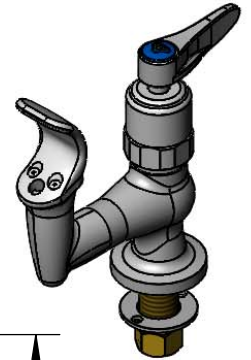
Contractor _____

Architect/Engineer _____



Forged Brass Mouth Guard

Fast Self-Closing Cartridge w/
Lever Handle w/ VR Screw &
Color Coded Index
(Spanner Bit Included)



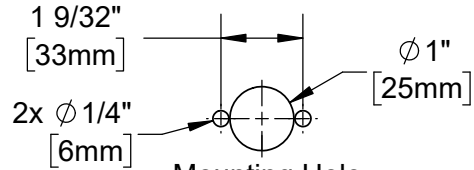
Removable $\phi 3/16$ "
Anti-Rotation Pins
@ 1 9/32" Spacing

Hidden Flow
Control Screw

Mounting
Surface

1"
[25mm]
Maximum
Thickness

1/2" NPSM Inlet
w/ Coupling Nut



Mounting Hole
Details

Rough-In Requirement:
 $\phi 1$ " [25mm] Mounting Hole

Product Specifications:
Bubbler w/ Anti-Rotation Pins, Fast Self-Closing Cartridge, Lever Handle w/
Vandal Resistant Screw, Forged Brass Mouth Guard, & 1/2" NPSM Male Inlet
w/ Coupling Nut

Product Compliance:
ASME A112.18.1 / CSA B125.1
NSF 61 - Section 9
NSF 372 (Low Lead Content)
ANSI A117.1 (ADA)



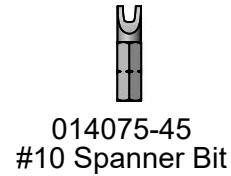
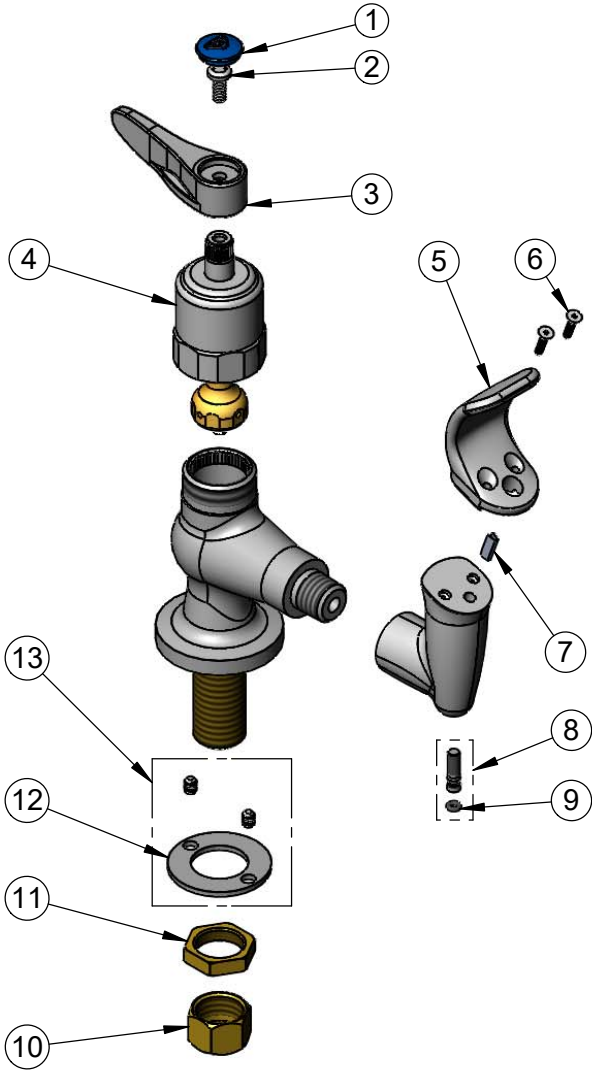
T&S BRASS AND BRONZE WORKS, INC.
 2 Saddleback Cove / P.O. Box 1088
 Travelers Rest, SC 29690

Model No.
B-2360-02

Item No.

Travelers Rest, SC: 800-476-4103 • Simi Valley, CA: 800-423-0150 • Fax: 864-834-3518 • www.tsbrass.com

ITEM NO.	SALES NO.	DESCRIPTION
1	018506-19NS	Blue Button Index, Press-in
2	VRS-2	VR Wrist Action Handle Screw (2) w/ Spanner Bit
3	001638-45NS	Lever Handle (New Style)
4	015317-40	Fast Self-Closing Cartridge
5	011299-40	Forged Brass Mouth Guard
6	009598-45	Mouth Guard Screw
7	009594-45	Flow Straightener
8	012697-45	Flow Control Screw
9	015319-45	O-Ring
10	000958-20	Coupling Nut
11	002954-45	Shank Lock Nut
12	012701-20	Washer, Shank - VR Bubbler
13	012698-45	Anti-Rotation Pins w/ Washer



Product Specifications:
 Bubbler w/ Anti-Rotation Pins, Fast Self-Closing Cartridge, Lever Handle w/
 Vandal Resistant Screw, Forged Brass Mouth Guard, & 1/2" NPSM Male Inlet
 w/ Coupling Nut

Product Compliance:
 ASME A112.18.1 / CSA B125.1
 NSF 61 - Section 9
 NSF 372 (Low Lead Content)
 ANSI A117.1 (ADA)