



T&S BRASS AND BRONZE WORKS, INC.
 2 Saddleback Cove / P.O. Box 1088
 Travelers Rest, SC 29690

Model No.
B-1029-2

Item No.

Travelers Rest, SC: 800-476-4103 • Simi Valley, CA: 800-423-0150 • Fax: 864-834-3518 • www.tsbrass.com

1 3/16"
 [30mm]



ADA Compliant

This Space for Architect/Engineer Approval

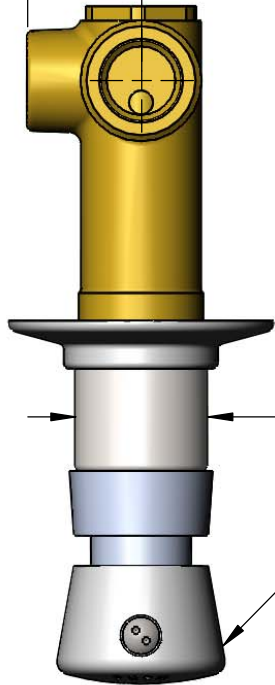
Job Name _____ Date _____

Model Specified _____ Quantity _____

Customer/Wholesaler _____

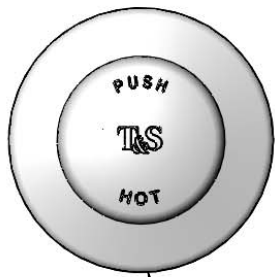
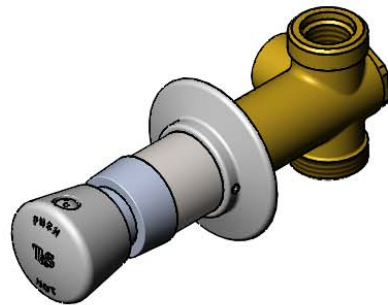
Contractor _____

Architect/Engineer _____

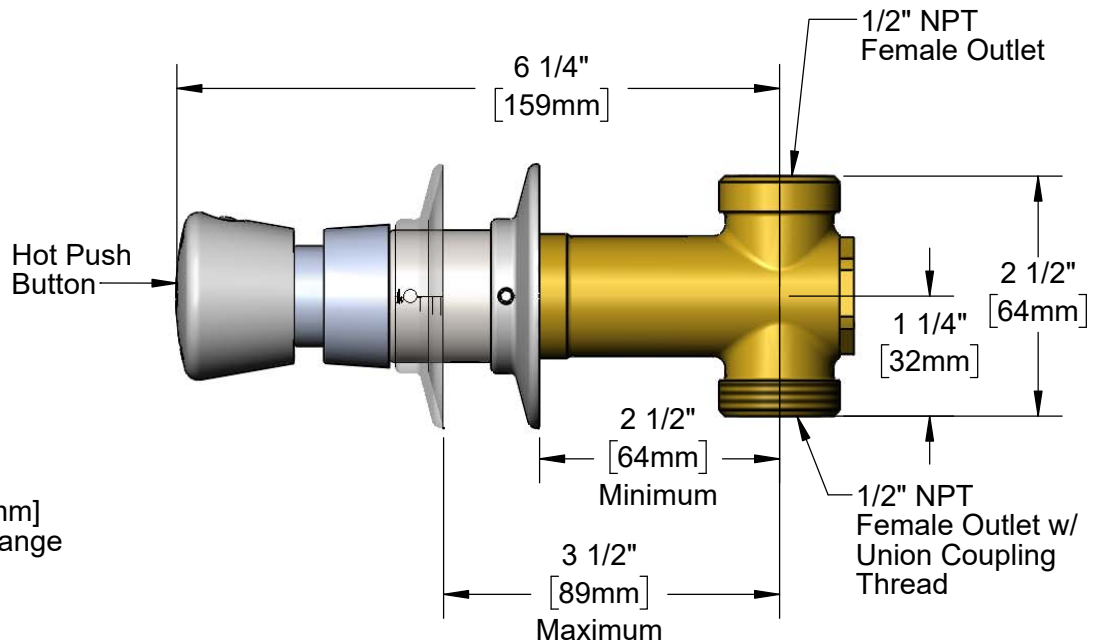


Ø 1 3/8"
 [35mm]

Adjustable Flow, Vandal
 Resistant Push Button
 Metering Cartridge



Ø 2 3/4" [70mm]
 Adjustable Flange
 w/ Set Screw



Rough-In Requirement:
 Ø 1 1/2" [38mm] Mounting Hole

Product Specifications:
 Concealed Straight Slow Self-Closing Valve w/ Adjustable
 Timed Flow, Vandal Resistant Design, Hot Push Button, 1/2"
 NPT Female Outlet and 1/2" NPT Female Inlet w/ Union
 Coupling Thread

Product Compliance:
 ASME A112.18.1 / CSA B125.1
 NSF 61 - Section 9
 NSF 372 (Low Lead Content)
 ANSI A117.1 (ADA)



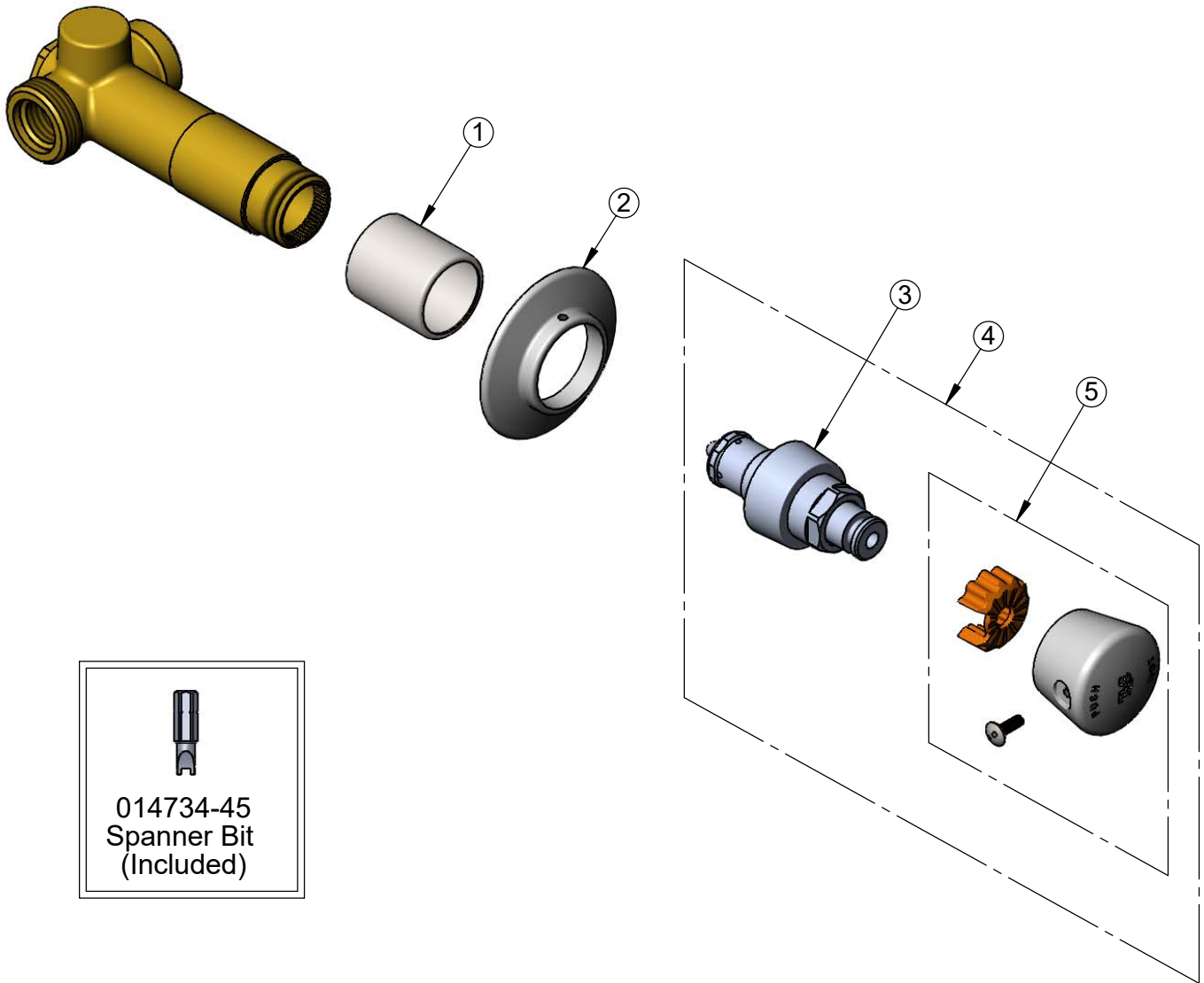
T&S BRASS AND BRONZE WORKS, INC.
 2 Saddleback Cove / P.O. Box 1088
 Travelers Rest, SC 29690

Model No.
B-1029-2

Item No.

Travelers Rest, SC: 800-476-4103 • Simi Valley, CA: 800-423-0150 • Fax: 864-834-3518 • www.tsbrass.com

ITEM NO.	SALES NO.	DESCRIPTION
1	151F	Escutcheon Tube
2	001501-40	Escutcheon
3	238A	Push Button Metering Cartridge
4	238AH	Metering Cartridge w/ Hot Push Button
5	014194-40	Hot Push Button Assembly



Product Specifications:
 Concealed Straight Slow Self-Closing Valve w/ Adjustable Timed Flow, Vandal Resistant Design, Hot Push Button, 1/2" NPT Female Outlet and 1/2" NPT Female Inlet w/ Union Coupling Thread

Product Compliance:
 ASME A112.18.1 / CSA B125.1
 NSF 61 - Section 9
 NSF 372 (Low Lead Content)
 ANSI A117.1 (ADA)