

This Space for Architect/Engineer Approval

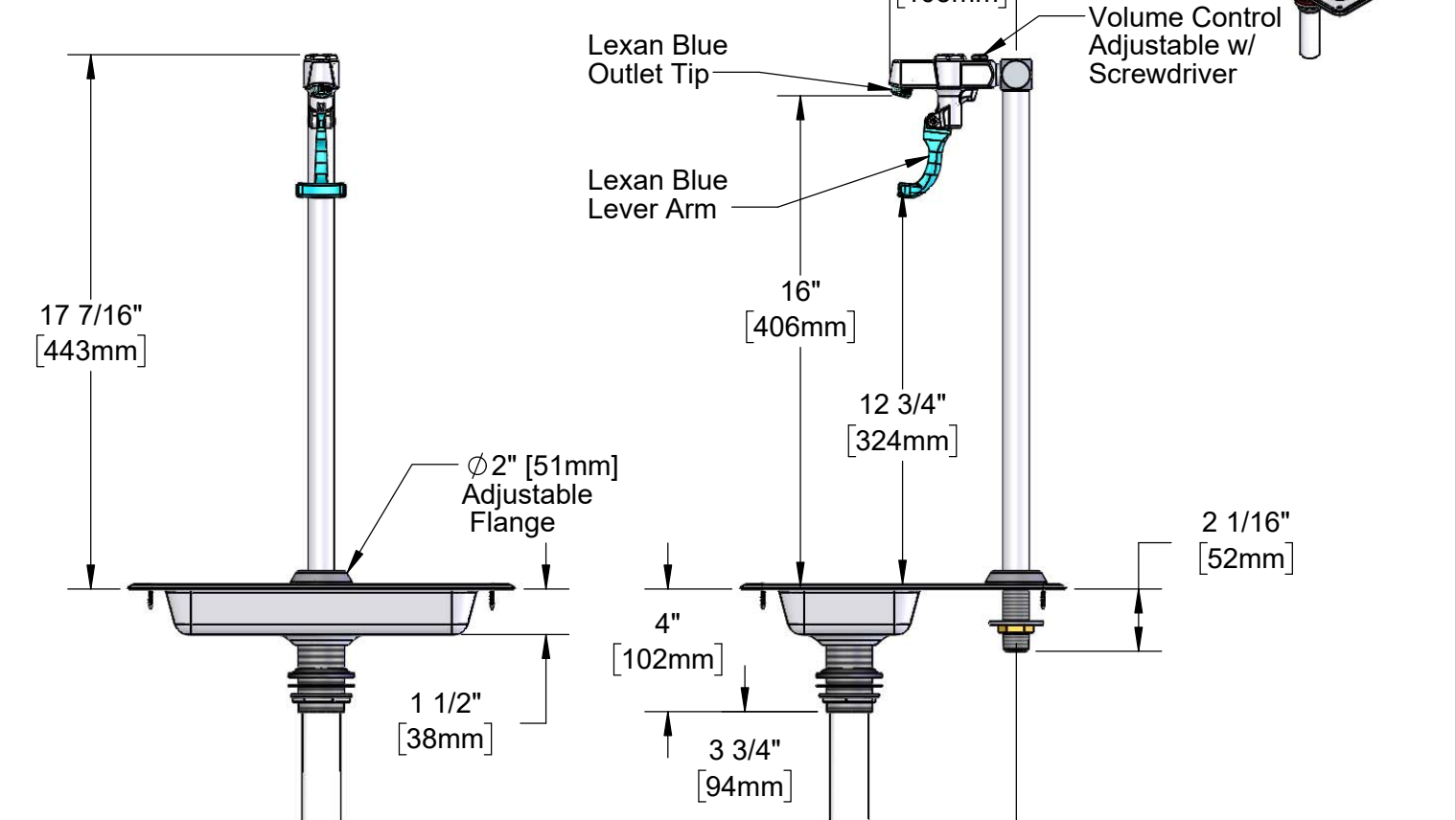
Job Name _____ Date _____

Model Specified _____ Quantity _____

Customer/Wholesaler _____

Contractor _____

Architect/Engineer _____



- Note:**
1. 18 Gauge Stainless Steel Pan w/ Beaded Edge. Supplied w/ Mastic & Stainless Steel Screws for Mounting.
 2. Suggested Cut-Out Size for Pan is 10-1/2" x 5". Customer to Verify Actual Cut Out Needed Prior to Installation.

Model Number

5GF-16P-WS

Product Specifications:

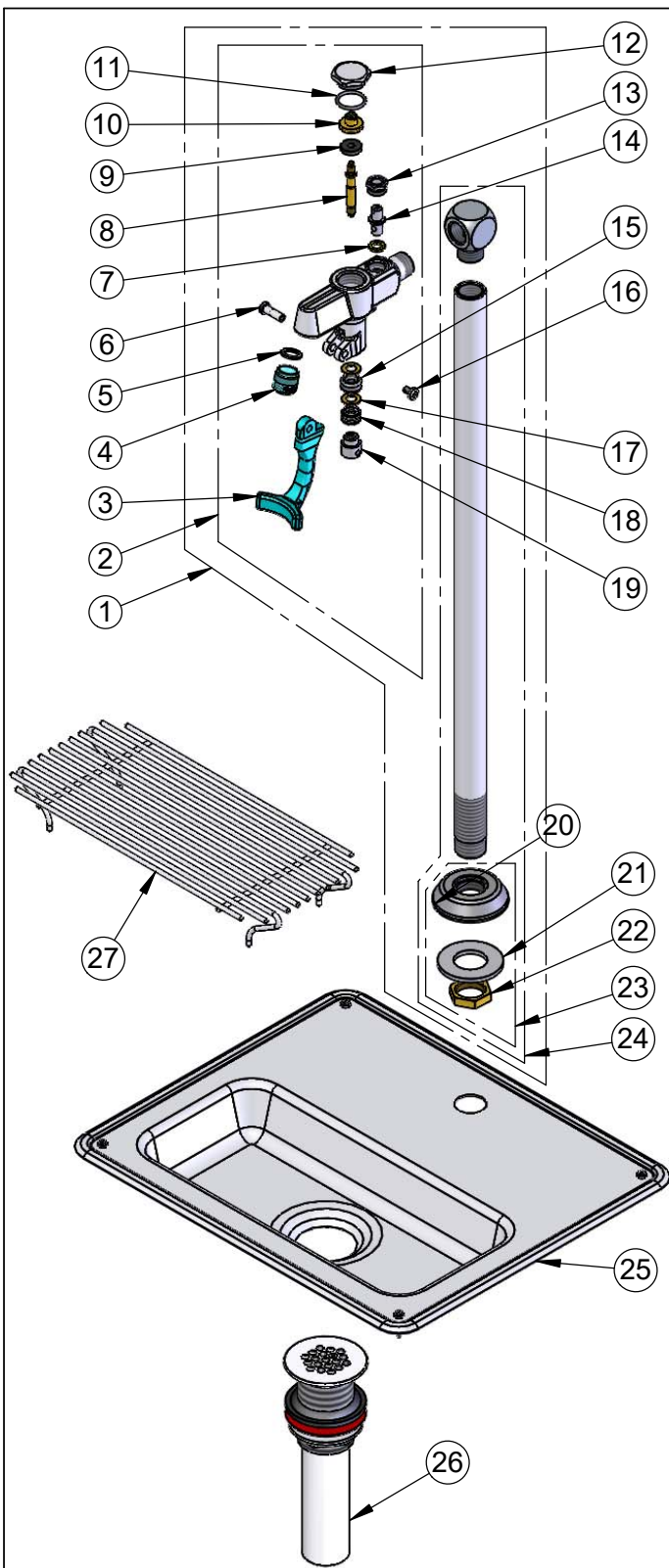
Water Station w/ Pedestal Type Retro Glass Filler, 18 Gauge Stainless Steel Drip Pan, 1/4" Tailpiece for Copper Tubing & 1-1/4" Drain

Product Compliance:

ASME A112.18.1 / CSA B125.1
 NSF 61 - Section 9
 NSF 372 (Low Lead Content)
 ANSI A117.1 (ADA)

equip
 Foodservice
 Accessories

2 Saddleback Cove, P.O. Box 1088
 Travelers Rest, South Carolina 29690
 Phone: 800.891.4808 Fax: 800.868.0084
 equip.tsbrass.com



ITEM NO.	SALES NO.	DESCRIPTION
1	5GF-16P	Pedestal Glass Filler
2	5GF-W	Wall Mount Glass Filler
3	001145-45	Lever Arm, Retro Glass Filler
4	003090-45	Outlet Tip, Retro Glass Filler
5	001030-45	Washer, Retro Glass Filler Outlet
6	003198-45	Spray Valve Handle Nut
7	001031-45	Washer, Volume Control
8	000826-20	Stem
9	001094-45	Seat Washer
10	000664-20	Seat Washer Holder
11	001062-45	O-Ring
12	000623-40	Hex Cap
13	000714-25	Nut, Retro Glass Filler Volume Control
14	000834-25	Stem, Retro Glass Filler Volume Control
15	001100-45	Packing Seal
16	003199-45	Spray Valve Handle Screw
17	000974-45	Bonnet Washer
18	000895-45	Spring
19	000752-25	Push Button, Retro Glass Filler
20	000024-40	Adjustable Deck Flange
21	001033-45	Pedestal Washer
22	002954-45	Shank Lock Nut
23	016783-40	Adjustable Deck Flange Repair Kit
24	017269-40	Pedestal Cube Assembly
25	010123-45	Drip Pan
26	010126-45	Drip Pan Drain
27	183F	Drip Pan Grid

Model Number

5GF-16P-WS

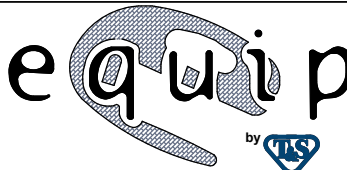
Product Compliance:

ASME A112.18.1 / CSA B125.1
 NSF 61 - Section 9
 NSF 372 (Low Lead Content)
 ANSI A117.1 (ADA)

Product Specifications:

Water Station w/ Pedestal Type Retro Glass Filler, 18 Gauge Stainless Steel Drip Pan, 1/4" Tailpiece for Copper Tubing & 1-1/4" Drain

equip
 Foodservice
 Accessories



2 Saddleback Cove, P.O. Box 1088
 Travelers Rest, South Carolina 29690
 Phone: 800.891.4808 Fax: 800.868.0084
 equip.tsbrass.com