



# T&S BRASS AND BRONZE WORKS, INC.

2 Saddleback Cove / P.O. Box 1088  
Travelers Rest, SC 29690

Model No.

**B-2731**

Item No.

Travelers Rest, SC: 800-476-4103 • Simi Valley, CA: 800-423-0150 • Fax: 864-834-3518 • www.tsbrass.com



**ADA Compliant**

This Space for Architect/Engineer Approval

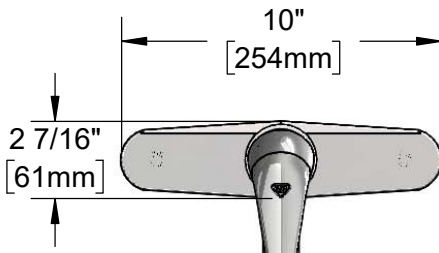
Job Name \_\_\_\_\_ Date \_\_\_\_\_

Model Specified \_\_\_\_\_ Quantity \_\_\_\_\_

Customer/Wholesaler \_\_\_\_\_

Contractor \_\_\_\_\_

Architect/Engineer \_\_\_\_\_



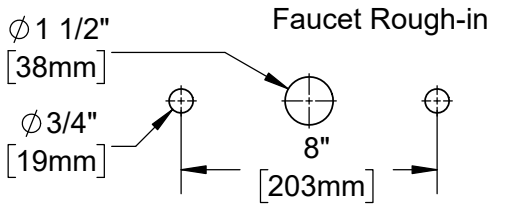
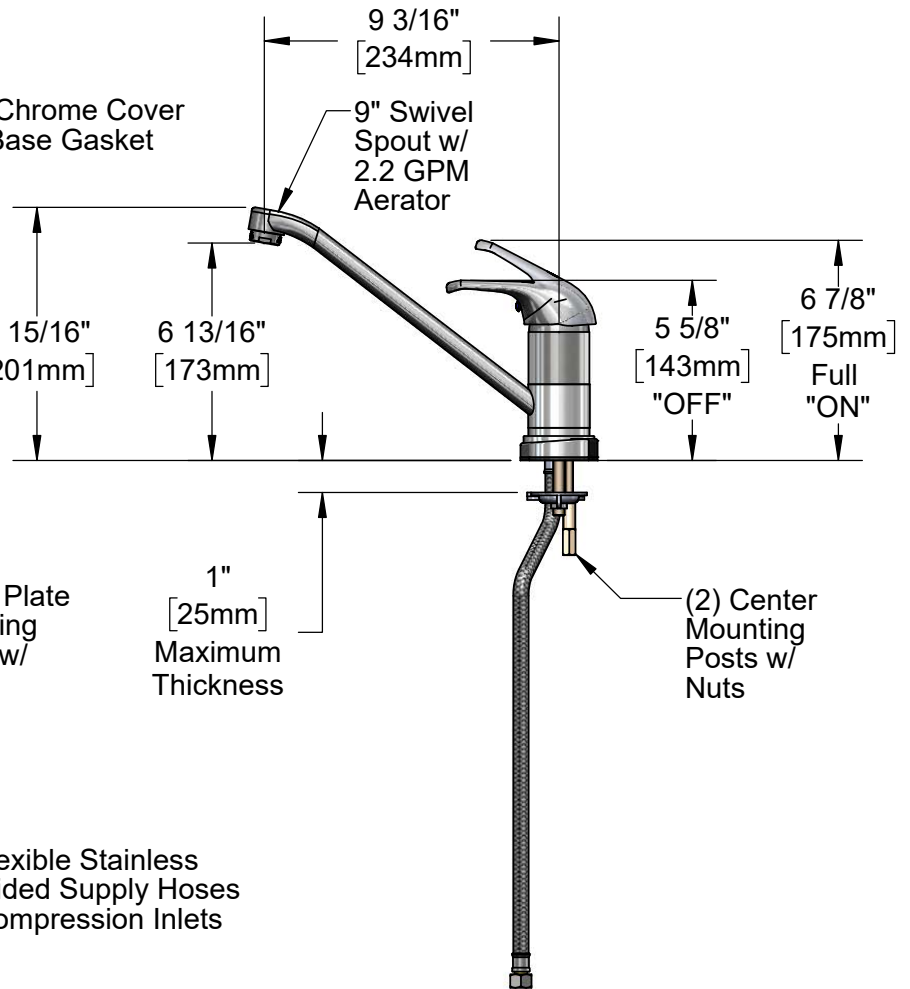
Ceramic Cartridge w/ Temperature Limit Stop

Polished Chrome Cover Plate w/ Base Gasket

Clamping Washer w/ Gasket

Cover Plate Mounting Posts w/ Nuts

(2) 16" Flexible Stainless Steel Braided Supply Hoses w/ 3/8" Compression Inlets



**Product Specifications:**

Single Lever Deck Mount Faucet, 9" Swivel Spout, 2.2 GPM Aerator, Temperature Limit Stop, 10" Deckplate & (2) 16" Flexible Stainless Steel Braided Supply Hoses

**Product Compliance:**

ASME A112.18.1 / CSA B125.1  
NSF 61 - Section 9  
NSF 372 (Low Lead Content)  
ANSI A117.1 (ADA)



# T&S BRASS AND BRONZE WORKS, INC.

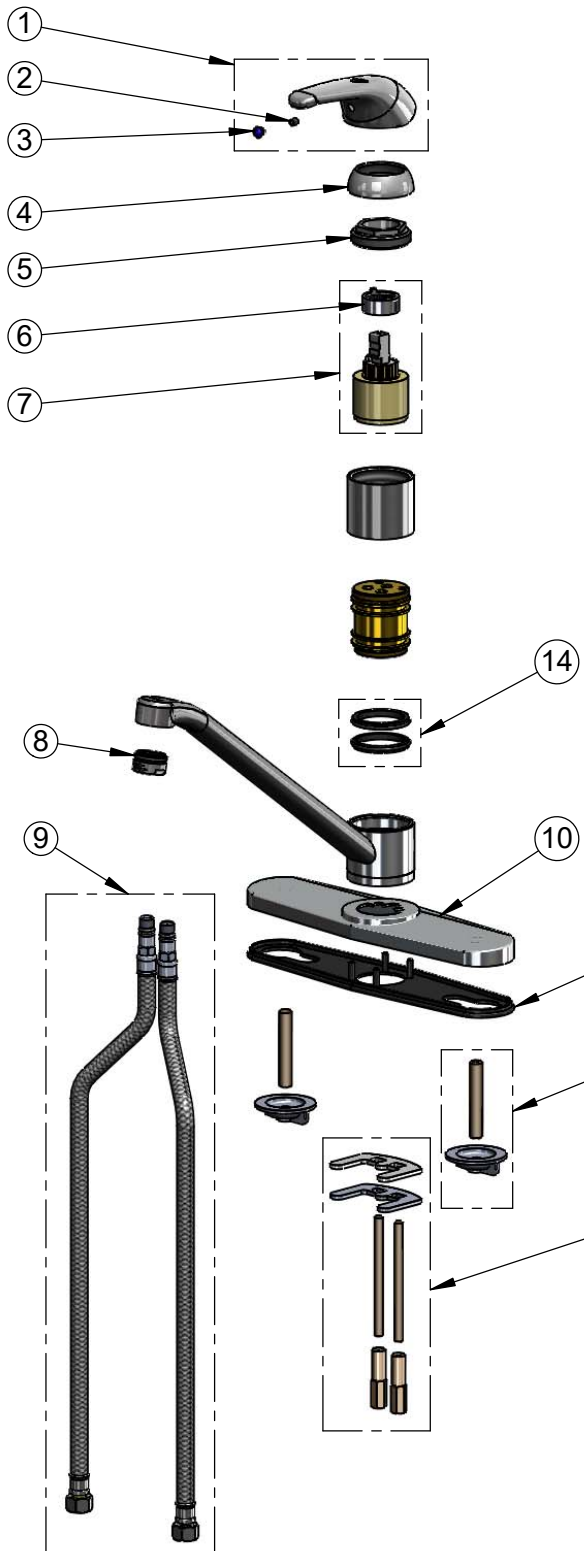
2 Saddleback Cove / P.O. Box 1088  
Travelers Rest, SC 29690

Model No.

**B-2731**

Item No.

Travelers Rest, SC: 800-476-4103 • Simi Valley, CA: 800-423-0150 • Fax: 864-834-3518 • www.tsbrass.com



| ITEM NO. | SALES NO.  | DESCRIPTION                                     |
|----------|------------|---|
| 1        | 013113-45  | Single Lever Short Handle                       |
| 2        | 016675-45  | Set Screw                                       |
| 3        | 014173-45  | Index, Temperature                              |
| 4        | 016661-45  | Trim Ring                                       |
| 5        | 016663-45  | Locking Nut                                     |
| 6        | 015400-45  | Temperature Limit Stop                          |
| 7        | 013080-45  | Ceramic Cartridge w/ Temperature Limit Stop     |
| 8        | B-0199-04  | Aerator, 2.2 GPM - 15/16-27 UN Male             |
| 9        | 016879-45  | 16" Supply Hoses w/ 3/8" Compression Inlets (2) |
| 10       | 014161-45  | Deck Plate, B-2730 & B-2731                     |
| 11       | 014160-45  | Deck Plate Gasket, B-2730 & B-2731              |
| 12       | 014162-45  | Mounting Post & Nut Kit (2)                     |
| 13       | 014163-45  | Center Mounting Kit                             |
| 14       | 017150-45K | Base Seal (2)                                   |

**Product Specifications:**  
Single Lever Deck Mount Faucet, 9" Swivel Spout, 2.2 GPM Aerator, Temperature Limit Stop, 10" Deckplate & (2) 16" Flexible Stainless Steel Braided Supply Hoses

**Product Compliance:**  
ASME A112.18.1 / CSA B125.1  
NSF 61 - Section 9  
NSF 372 (Low Lead Content)  
ANSI A117.1 (ADA)