



T&S BRASS AND BRONZE WORKS, INC.

2 Saddleback Cove / P.O. Box 1088
Travelers Rest, SC 29690

Model No.

EW-7360B-TMV

Item No.

Travelers Rest, SC: 800-476-4103 • Simi Valley, CA: 800-423-0150 • Fax: 864-834-3518 • www.tsbrass.com

This Space for Architect/Engineer Approval

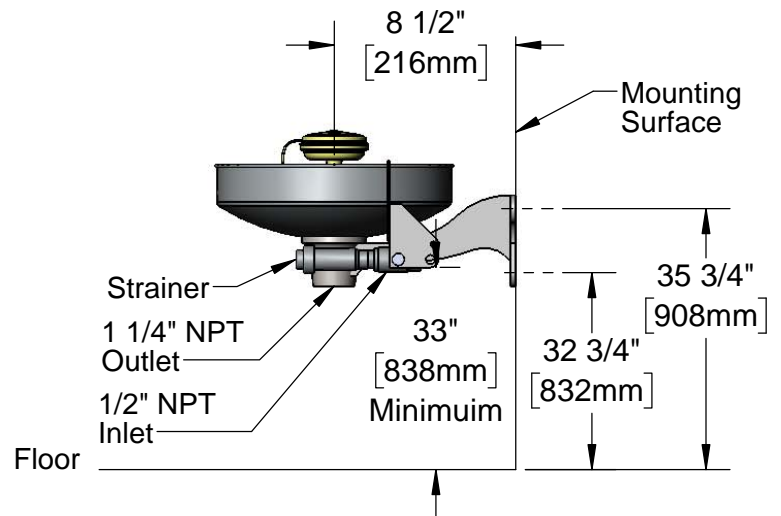
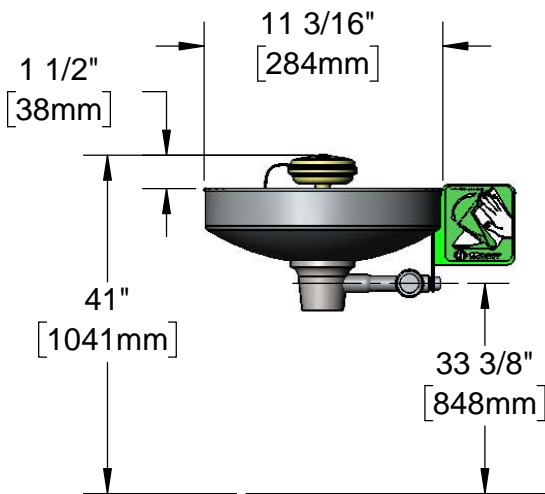
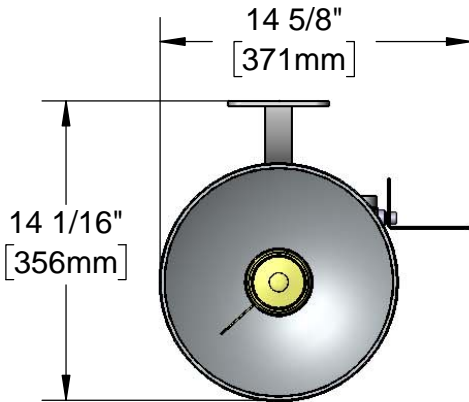
Job Name _____ Date _____

Model Specified _____ Quantity _____

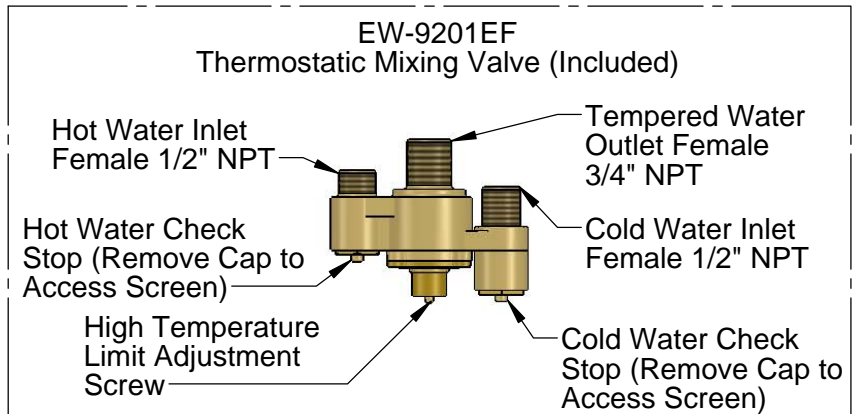
Customer/Wholesaler _____

Contractor _____

Architect/Engineer _____



- Note:
- ANSI Standard Z358.1 Specifies Eyewash Nozzles to be 33" [838mm] to 45" [1143mm] Above the Floor
 - These Dimensions are for Reference



Product Specifications:
Wall Mount Eye/Face Wash with Chrome Plated Brass Stay Open Ball Valve, 1/2" NPT Inlet and 1 1/4" NPT Waste Outlet

Product Compliance:
ANSI Z358.1 (Latest Revision)
NSF 61 Exempt (Non-Potable)
ASSE 1071 (TMV)