



# Backflow Preventers

## B-0970-FEZ

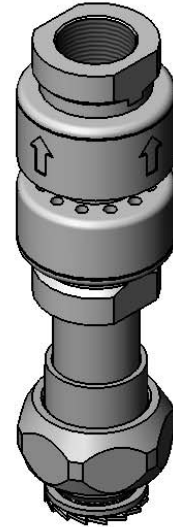
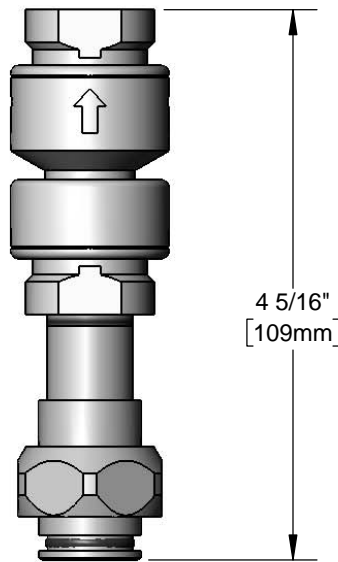
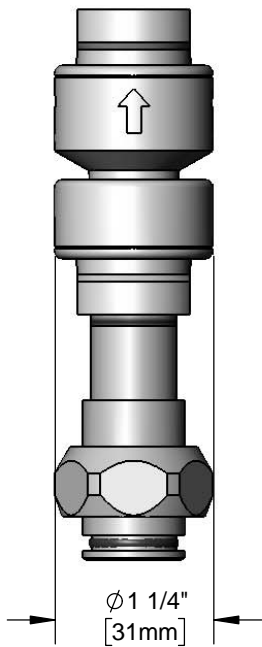
TAG:

**Easy Install** Dual Check Vacuum Breaker

### Architect/Engineering Specifications:

In-line continuous pressure dual check vacuum breaker with intermediate vent, polished chrome body, 2" riser, 3/8" NPT female outlet and quick installation inlet. Certified to ASME A112.18.1/CSA B125.1, NSF 61-Section 9, NSF 372 and CSA B64.8.

Job Name \_\_\_\_\_  
 Model Specified \_\_\_\_\_ Quantity \_\_\_\_\_  
 Variations Specified \_\_\_\_\_  
 Date \_\_\_\_\_



### Features & Benefits:

- In-line 3/8" continuous pressure dual check vacuum breaker w/ polished chrome plated body
- 3/8" NPT female Inlet and outlet
- EasyInstall quick installation inlet for standard T&S swivel faucet
- Design prevents back siphonage of contaminated water
- Material: Polished chrome plated brass body and riser

### Product Compliance:

- ASME A112.18.1 / CSA B125.1
- NSF 61 - Section 9
- NSF 372 (Low Lead Content)
- CSA B64.8 (VB)

**Warranty:** One Year (Limited)

### Performance Data:

- Pressure: 20 - 125 psi
- Temperature: 40°F - 140°F
- Flow Rate: 7.27 GPM @ 60 psi



**T&S BRASS AND BRONZE WORKS, INC.**



• 2 Saddleback Cove • Travelers Rest, SC 29690  
 Ph 800-476-4103 • Fax 864-834-3518  
 • Simi Valley, CA • Ph 800-423-0150 • www.tsbrass.com

Date: 10/12/17