



ADA Compliant

*This Space for Architect/Engineer Approval*

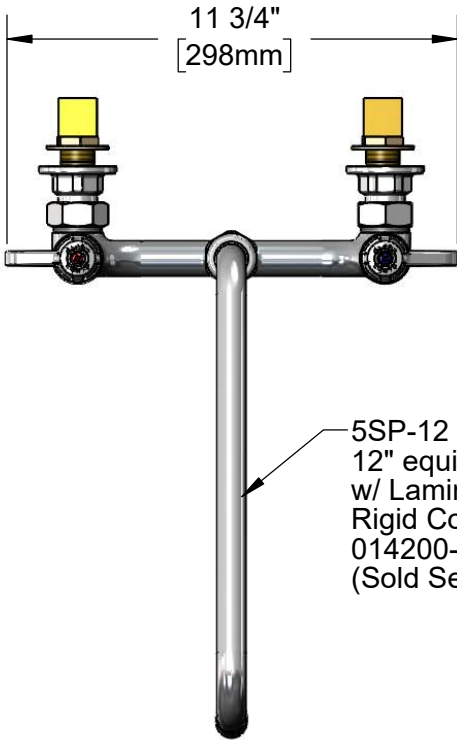
Job Name \_\_\_\_\_ Date \_\_\_\_\_

Model Specified \_\_\_\_\_ Quantity \_\_\_\_\_

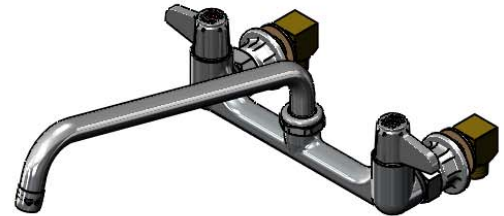
Customer/Wholesaler \_\_\_\_\_

Contractor \_\_\_\_\_

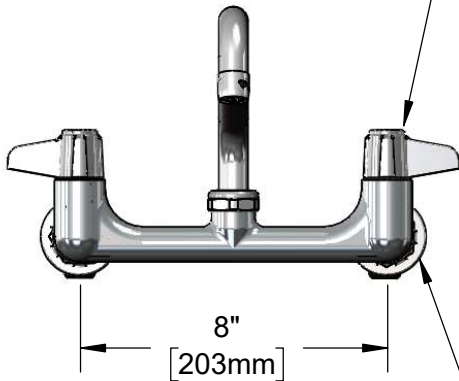
Architect/Engineer \_\_\_\_\_



5SP-12  
12" equip Swing Nozzle  
w/ Laminar Flow Device.  
Rigid Conversion Requires  
014200-45 Lock Washer  
(Sold Separately)

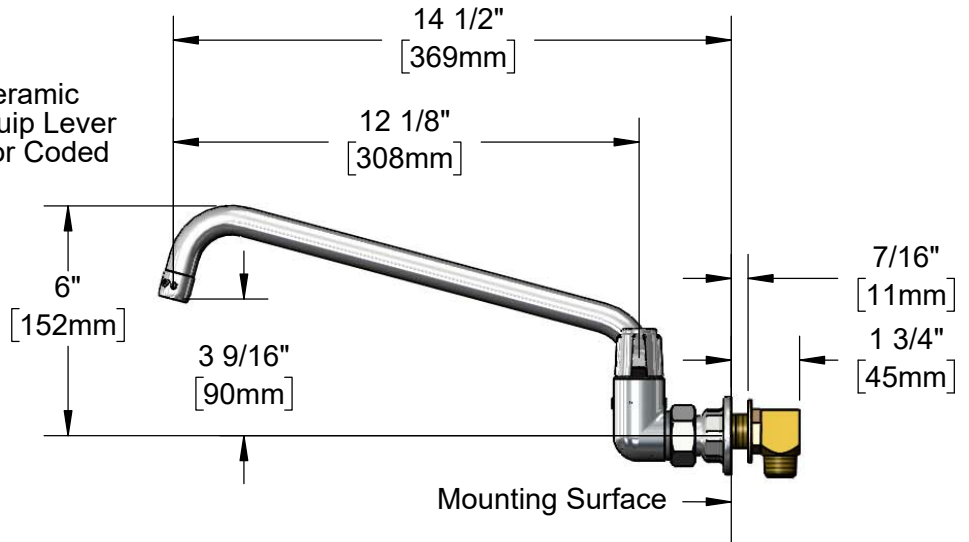


Quarter-Turn Ceramic  
Cartridges & equip Lever  
Handles w/ Color Coded  
Screws



8" [203mm]  
Adjustable From  
7 3/4" to 8 1/4"  
[197mm to 210mm]

Ø 2" [51mm]  
Flanges w/  
1/2" NPT  
Female Inlets



Rough-In Requirement:  
(2) Ø 1" [25mm] Mounting Holes

Model Number  
**5F-8WLS12**

Product Specifications:  
**8" Wall Mount Mixing Faucet, Quarter-Turn Ceramic Cartridges,  
equip Lever Handles, 12" equip Swing Nozzle & 1/2" NPT  
Supply Elbow Kit**

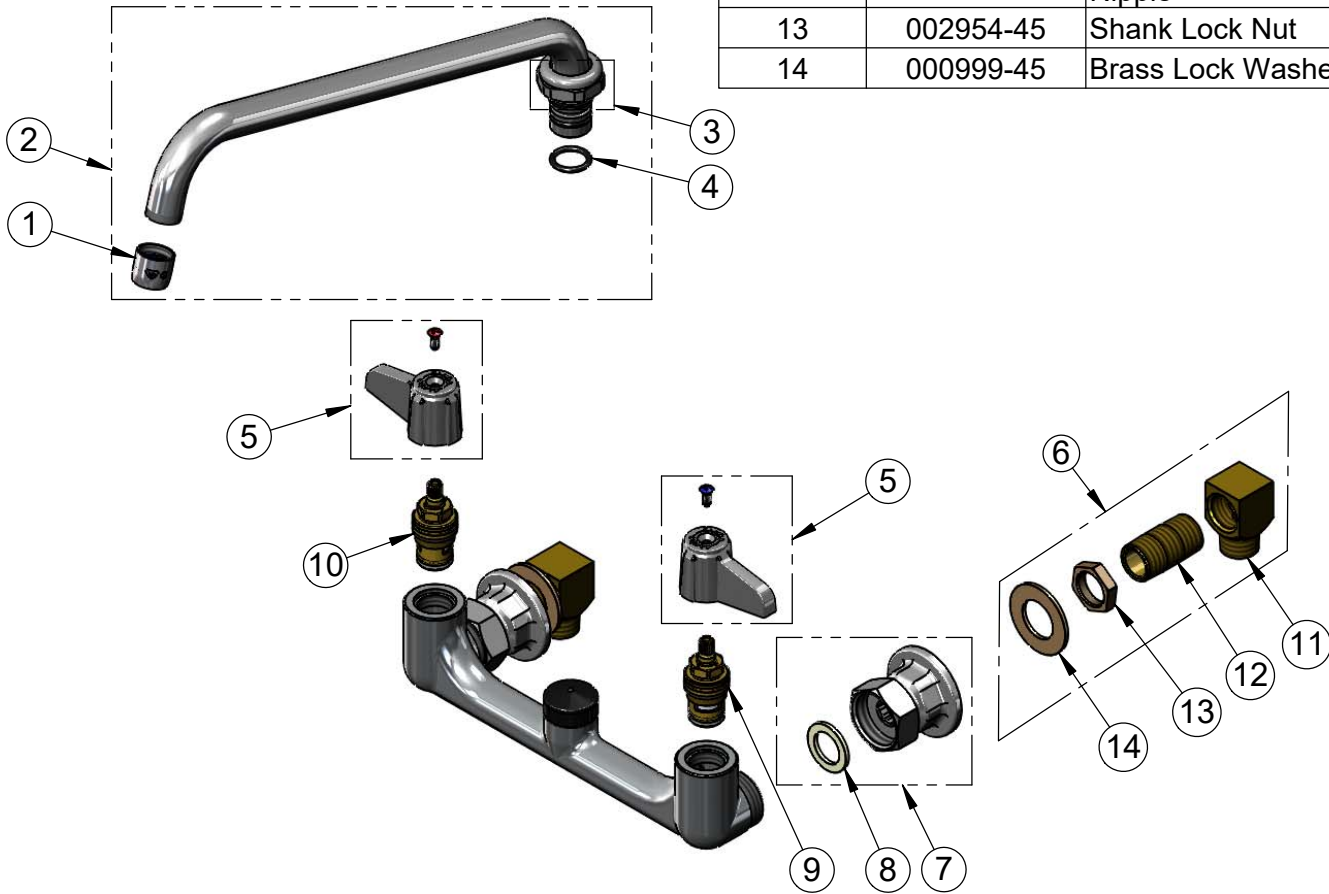
Product Compliance:  
ASME A112.18.1 / CSA B125.1  
NSF 61 - Section 9  
NSF 372 (Low Lead Content)  
ANSI A117.1 (ADA)

equip  
Foodservice  
Accessories

by

2 Saddleback Cove, P.O. Box 1088  
Travelers Rest, South Carolina 29690  
Phone: 800.891.4808 Fax: 800.868.0084  
equip.tsbrass.com

ITEM NO.	SALES NO.	DESCRIPTION
1	014250-40	Laminar Flow Device
2	5SP-12	12" equip Swing Nozzle
3	013839-25	equip Swivel Nut
4	013848-45	equip Swivel Piece O-Ring
5	5-HDL-L	equip Lever Handle w/ Color Coded Screws
6	B-0230-K	1/2" NPT Male Supply Inlet Kit
7	00AA	1/2" NPT Flange Assembly
8	001019-45	Coupling Nut Washer
9	013788-45	equip Quarter-Turn Ceramic Cartridge, LTC
10	013787-45	equip Ceramic Cartridge, RTC
11	B-1100-K	1/2" NPT Male Inlet Elbow
12	013357-20	1/2" NPT x 1-5/8" Lg. Close Nipple
13	002954-45	Shank Lock Nut
14	000999-45	Brass Lock Washer



Model Number

**5F-8WLS12**

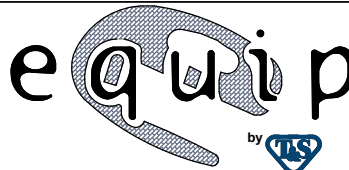
Product Specifications:

**8" Wall Mount Mixing Faucet, Quarter-Turn Ceramic Cartridges, equip Lever Handles, 12" equip Swing Nozzle & 1/2" NPT Supply Elbow Kit**

Product Compliance:

ASME A112.18.1 / CSA B125.1  
NSF 61 - Section 9  
NSF 372 (Low Lead Content)  
ANSI A117.1 (ADA)

equip  
Foodservice  
Accessories



2 Saddleback Cove, P.O. Box 1088  
Travelers Rest, South Carolina 29690  
Phone: 800.891.4808 Fax: 800.868.0084  
equip.tsbrass.com