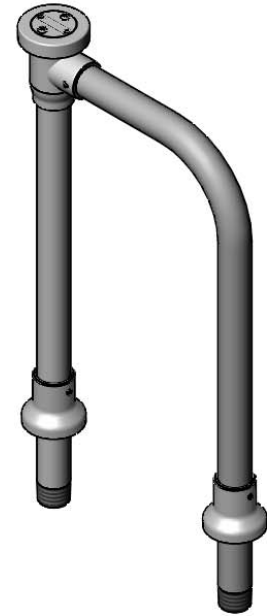
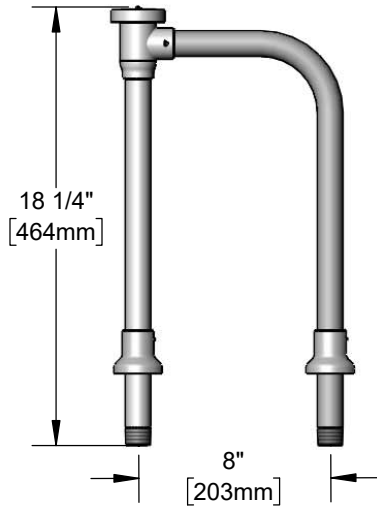




Architect/Engineering Specifications:

8" centers vacuum breaker unit, with polished chrome plated brass body, adjustable slip flanges and 3/4" NPT male threads. Certified to ASME A112.18.1/CSA B125.1, NSF 61-Section 9, NSF 372 and ASSE 1001.

Job Name _____
 Model Specified _____ Quantity _____
 Variations Specified _____
 Date _____



Features & Benefits:

- 8" centers mounting vacuum breaker unit
- 3/4" NPT male threads
- Adjustable slip flanges
- Pipe must be held rigid under sink with connection fittings, brace, etc.
- Material: Polished chrome plated brass body

Product Compliance:

- ASME A112.18.1 / CSA B125.1
- NSF 61 - Section 9
- NSF 372 (Low Lead Content)
- ASSE 1001

Warranty: One Year (Limited)

Performance Data:

- Pressure: 20 - 125 psi [1.38 - 8.62 bar]
 - Temperature: 40 °F - 180 °F [4.44 °C - 82.22 °C]
 - Flow Rate: 18.10 GPM [68.5 L/min] @ 60 psi [4.14 bar]
- (Outlet Device &/or Final Configuration May Reduce Flow Rate)

